



www.denver.eu

CR-425/CR-425UK RETRO FLIP CLOCK RADIO



INSTRUCTION MANUAL



FR
Cet appareil, ses
cordons et ses
accessoires sont
recyclables

À DÉPOSER
EN MAGASIN



OU

À DÉPOSER
EN DÉCHÈTERIE



Points de collecte sur www.quefairedemesdechets.fr
Privilégiez la réparation ou le don de votre appareil !



BEFORE OPERATING THIS PRODUCT, READ, UNDERSTAND, AND FOLLOW THESE INSTRUCTIONS.

Be sure to save this booklet for future reference.

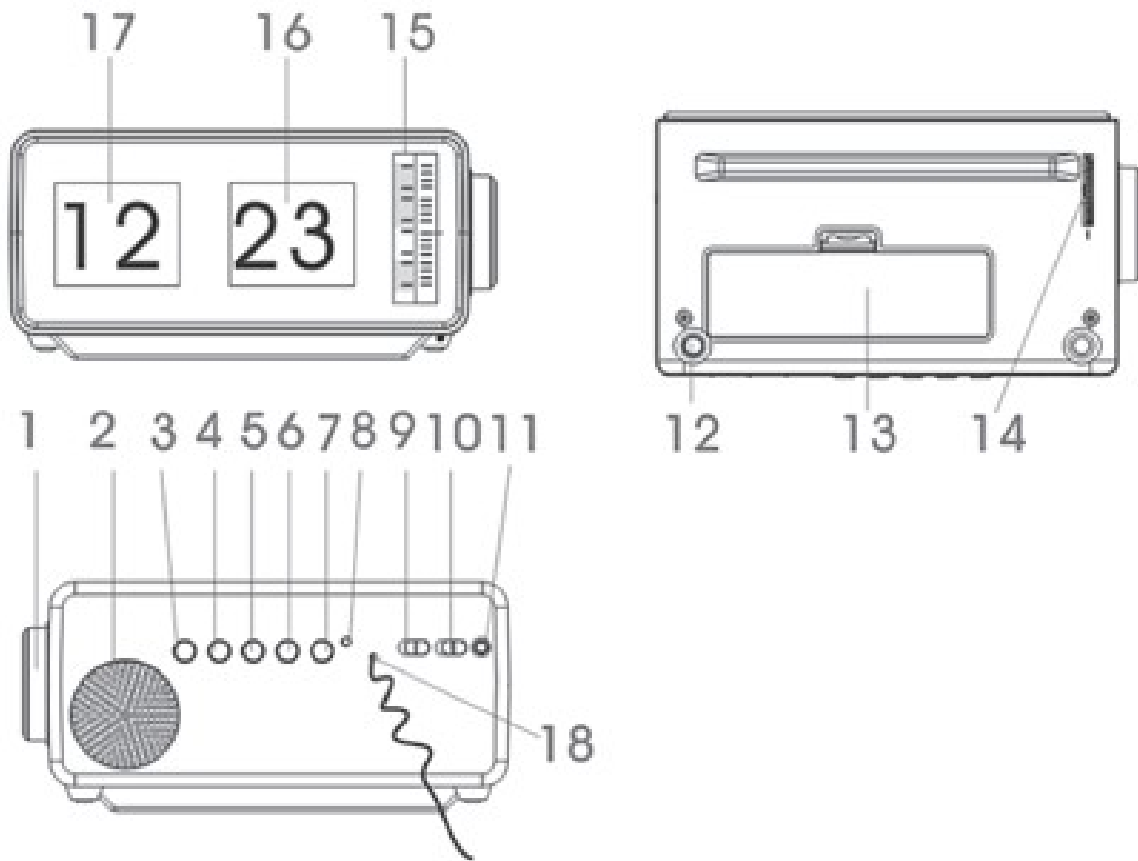
www.facebook.com/denver.eu

Safety information

Please read the safety instructions carefully before using the product for the first time and keep the instructions for future reference.

1. This product is not a toy. Keep it out of reach of children.
2. Keep product out of the reach of children and pets to avoid chewing and swallowing.
3. Never use old and new batteries or different types of batteries together. Remove the batteries when you are not using the system for a longer period of time. Check the polarity (+/-) of the batteries when inserting them in the product. Wrong positioning can cause an explosion. Batteries are not included.
4. Product operating and storage temperature is from 0 degree Celsius to 40 degree Celsius. Under and over this temperature might affect the function.
5. Never open the product. Touching the inside electrics can cause electric shock. Repairs or service should only be performed by qualified personnel.
6. Do not expose to heat, water, moisture, direct sunlight!
7. Please protect your ears against loud volume. Loud volume can damage your ears and risk in hearing loss.
8. The unit is not waterproof. If water or foreign objects enter the unit, it may result in fire or electric shock. If water or a foreign object enters the unit, stop use immediately.
9. Only charge with supplied Adaptor. The direct plug-in adapter is used as disconnect device, the disconnect device shall remain readily operable. So, make sure there is space around the power outlet for easy access.
10. Do not use non original accessories together with the product as this can make the product functionality abnormal.

Product overview



1. ALARM SET KNOB
2. SPEAKER
3. POWER BUTTON
4. VOL + BUTTON
5. VOL - BUTTON
6. TUN + BUTTON (to select next station)
7. TUN - BUTTON (to select previous station)
8. POWER LED INDICATOR
9. ALARM - OFF/ON SWITCH
10. ALARM SELECT SWITCH- BUZZER/RADIO
11. DC JACK
12. SOONZE BUTTON
13. BATTERY DOOR
14. TIME SET KNOB
15. ALARM SET DIAL (HOUR/MINUTE)
16. TIME - MINUTE DISPLAY
17. TIME - HOUR DISPLAY

POWER SUPPLY

The unit can be powered by either AC power or batteries.

Manufacturer's name or trade mark, commercial registration number and address	DongGuan Obelieve Electronic Co.,Ltd 91441900050747698U Huazhaoxin Industrial Park B-4/F, Golden Phoenix Industrial Zone, FengGan Town, DongGuan, GuangDong Province,P.R.C.
Model identifier	OBL-0501000B / OBL0501000E
Input voltage	100-240V
Input AC frequency	50/60HZ
Output voltage	5.0V
Output current	1.0A
Output power	5.0W
Average active efficiency	76.52%
Efficiency at low load (10%)	--
No-load power consumption	0.081W

OPERATING THE UNIT ON AC POWER

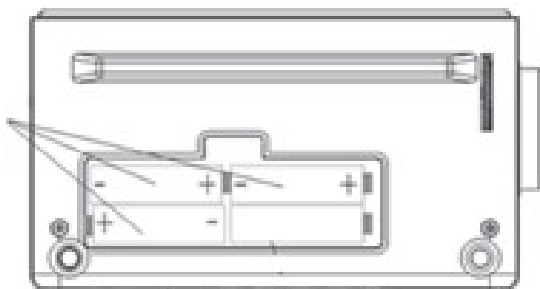
Insert one end of the supplied power cord to the DC jack at the rear of the unit, and the other end into the wall outlet.

When connecting the power cord, make sure that the power cord is firmly pushed into the DC jack and the wall outlet for power supply.

OPERATING THE UNIT ON BATTERIES

1. To operate the unit on batteries, the AC power cord must be disconnected from the unit.
2. Unplug the AC power cord from the unit and insert 3 AA batteries (not included) in the battery compartment.
3. Close the battery compartment door.

**1.5V AA
Batteries**



Note: Check your batteries regularly. Old or depleted batteries should be replaced. If the unit is not to be used for some time, or is being run exclusively on AC power, remove the batteries from the battery compartment to avoid battery leakage.

Warning: Before using the unit. Check that the local mains supply is compatible with the unit. Do not plug or unplug the power cord when your hands are wet.
If you do not use the unit for a long period of time (i.e. Vacation etc.), disconnect the plug from the wall outlet.

BATTERY SAFETY PRECAUTIONS:

- Keep the batteries away from children and pets.
- Insert the batteries observing the proper polarity (+/-). Failure to properly align the battery polarity can cause personal injury and/or property damage.
- Remove old or depleted batteries from the product. Remove the batteries when the product is not used for extended periods of time to prevent damage due to rust or corrosion of batteries.
- Never throw batteries into a fire. Do not expose batteries to fire or other heat sources
- Battery Disposal: Old or depleted batteries must be properly disposed of and recycled in compliance with all applicable laws. For detailed information, contact your local solid waste authority.
- Follow the battery manufacturer's safety, usage, and disposal instructions.

TO SET THE TIME

Rotate the TIME SET KNOB in the direction indicated by the arrow to flip the minute and hour digits, when the minute digit reaches 59 then the hour will increase automatically.

Note: Both time and alarm are displayed in 12 hours mode.

TO SET THE ALARM

Rotate the ALARM SET KNOB in the direction indicated by the arrow (clockwise) to select an alarm time. Please do not rotate the alarm set knob anticlockwise as this can damage the mechanism and prevent the clock and alarm from working properly. The alarm set dial shows the hours on the left and the minutes in 15 minutes intervals on the right in the cycle of 00, 15, 30 and 45.

Switch the ALARM OFF/ON switch to ON to set the alarm and to switch it off when it is sounding. Use the ALARM select switch to choose buzzer or radio for the alarm.

TO TURN ON/OFF THE CLOCK BACKLIGHT

In normal mode, press and hold the SNOOZE button for 3 seconds to turn on/off the clock backlight.

It will be off automatically after several seconds.

TO LISTEN TO THE RADIO

1. Press the POWER button to turn on the unit. When the radio is ON, the power LED indicator will be lit solid red.
2. Press and hold the TUN + or TUN - button to scan the radio station and store it automatically.
3. Press the TUN + or TUN - button repeatedly to select the radio station stored as step 2.
4. Press the POWER button again to turn off the unit.

VOLUME CONTROL

- When device is in FM mode
 - Increase the volume by 1 unit by pressing VOL + button.
 - Long press the VOL + button to increase the volume to the desired unit.
- When device is in FM mode
 - Decrease the volume by 1 unit by pressing VOL - button.
 - Long press the VOL - button to decrease the volume to the desired unit.

TO WAKE UP TO RADIO/BUZZER

1. For alarm, set the alarm as previously instructed.
2. After setting the time, slide the ALARM SELECT SWITCH- BUZZER/RADIO switch to BUZZER or RADIO position to choose to wake up from Buzzer or Radio.

SNOOZE FUNCTION

When the alarm sounds (buzzer or radio) you can switch it off temporarily (for 9 minutes) using the 'snooze function'. The snooze switch is located in the base of the radio (back left). Gently press the top of the radio on the left hand side at the back (as you face the radio) to activate snooze. You can press again to repeat when the alarm sounds again.

Please notice - All products are subject to change without any notice. We take reservations for errors and omissions in the manual.

ALL RIGHTS RESERVED, COPYRIGHT DENVER A/S



www.denver.eu



Electric and electronic equipment contains materials, components and substances that can be hazardous to your health and the environment, if the waste material (discarded electric and electronic equipment) is not handled correctly.

Electric and electronic equipment is marked with the crossed out trash can symbol, seen above. This symbol signifies that electric and electronic equipment should not be disposed of with other household waste, but should be disposed of separately.

All cities have established collection points, where electric and electronic equipment can either be submitted free of charge at recycling stations and other collection sites, or be collected from the households. Additional information is available at the technical department of your city.

Hereby, Denver A/S declares that the radio equipment type CR-425/CR-425UK is in compliance with Directive 2014/53/EU. The full text of the EU declaration of conformity is available at the following internet address: www.denver.eu and then click the search ICON on topline of website. Write model number: CR-425/CR-425UK. Now enter product page, and red directive is found under downloads/other downloads.

Operating Frequency Range: FM87.5-108MHz

Max Output Power: 5W

Denver A/S
Omega 5A, Soeften
DK-8382 Hinnerup
Denmark

www.facebook.com/denver.eu

Contact

Nordics

Headquarter
Denver A/S
Omega 5A, Soeften
DK-8382 Hinnerup
Denmark

Phone: **+45 86 22 61 00**
(Push "1" for support)

E-Mail
For technical questions, please write to:
support.hq@denver.eu

For all other questions please write to:
contact.hq@denver.eu

Benelux

DENVER BENELUX B.V.
Barwoutswaard 13C+D
3449 HE Woerden
The Netherlands

Phone: **0900 -3437623**

E-Mail: **support.nl@denver.eu**

Spain/Portugal

DENVER SPAIN S.A
Ronda Augustes y Louis Lumiere, n° 23 - nave 16
Parque Tecnológico
46980 PATERNA
Valencia (Spain)

Spain
Phone: **+34 960 046 883**
Mail: **support.es@denver.eu**

Portugal:
Phone: **+35 1255 240 294**
E-Mail: **denver.service@satfiel.com**

Germany

Denver Germany GmbH Service
Max-Emanuel-Str. 4
94036 Passau

Phone: **+49 851 379 369 40**

E-Mail
support.de@denver.eu

Fairfixx GmbH
Repair and service
Rudolf-Diesel-Str. 3 TOR 2
53859 Niederkassel

(for TV, E-Mobility/Hoverboards/Balanceboards,
Smartphones & Tablets)

Tel.: **+49 851 379 369 69**
E-Mail: **denver@fairfixx.de**

Austria

Lurf Premium Service GmbH
Deutschstrasse 1
1230 Wien

Phone: **+43 1 904 3085**
E-Mail: **denver@lurfservice.at**

If your country is not listed above,
please write an email to
support@denver.eu



DENVER A/S
Omega 5A, Soeften
DK-8382 Hinnerup
Denmark

denver.eu
facebook.com/denver.eu



Version 1.1