



MCR-50MK4

denver.eu

06/2023



FR
Cet appareil est recyclable

À DÉPOSER EN MAGASIN

À DÉPOSER EN DÉCHÈTERIE

OU

Points de collecte sur www.quefairedemesdechets.fr
Privilégiez la réparation ou le don de votre appareil !



Safety information

Please read the safety instructions carefully before using the product for the first time and keep the instructions for future reference.

1. This product is not a toy. Keep it out of reach of children.
2. Keep product out of the reach of children and pets to avoid chewing and swallowing.
3. Product operating and storage temperature is from 0 degree Celsius to 40 degree Celsius. Under and over this temperature might affect the function.
4. Never use old and new batteries or different types of batteries together in remote control. Remove the batteries when you are not using the system for a longer period of time. Check the polarity (+/-) of the batteries when inserting them in the product. Wrong positioning can cause an explosion. Batteries are not included.
5. Never open the product. Touching the inside electrics can cause electric shock. Repairs or service should only be performed by qualified personnel.
6. Do not expose to heat, water, moisture, direct sunlight!
7. Please protect your ears against loud volume. Loud volume can damage your ears and risk in hearing loss.
8. The unit is not waterproof. If water or foreign objects enter the unit, it may result in fire or electric shock. If water or a foreign object enters the unit, stop use immediately.
9. Do not use non original accessories together with the product as this can make the product functionality abnormal.

CAUTION

TO PREVENT FIRE OR SHOCK HAZARD,DO NOT USE THIS PLUG WITH AN EXTENSION CORD, RECEPTACLE OR OTHER OUTLET UNLESS THE BLADES CAN BE FULLY INSERTED TO PREVENT BLADE EXPOSURE.TO PREVENT FIRE OR SHOCK HAZARD,DO NOT EXPOSE THIS APPLIANCE TO RAIN OR MOISTURE.

 <p>The LIGHTNING FLASH with arrowhead symbol,within an equilateral triangle is intended to alert the user to the presence of uninsulated 'dangerous voltage' within the product's enclosure that may be of sufficient magnitude to constitute a risk of electric shock to persons.</p>	<p>CAUTION</p> <p>RISK OF ELECTRIC SHOCK DO NOT OPEN</p> <p>WARNING:TO REDUCE THE RISK OF ELECTRIC SHOCK DO NOT REMOVE COVER (OR BACK),NO USER SERVICEABLE PARTS INSIDE REFER SERVICING TO QUALIFIED SERVICE PERSONNEL</p>	 <p>The exclamation point within an equilateral triangle is intended to alert the user to the presence of important operating and maintenance (servicing) instructions in the literature accompanying the appliance.</p>
--	---	---

IMPORTANT SAFETY INSTRUCTIONS

1. Read,keep and follow all these instructions in this manual.
2. Clean only with dry cloth.
3. Do not block any ventilation openings.Install in accordance with the manufacturer's instructions.
4. Do not install near any heat sources such as radiators, heat registers,stoves, or other apparatus(including amplifiers) that produce heat.
5. Protect the power cord from being walked on or pinched particularly at plugs, convenience receptacles,and point where they exit from the apparatus.
6. Unplug this apparatus during lightning storms or when unused for long periods of time.
7. Refer all servicing to qualified service personnel.Servicing is required when the apparatus has been damaged in any way,such as power-supply cord or plug is damaged,liquid has been spilled or objects have fallen into the apparatus,the apparatus has been exposed to rain or moisture, does not operate normally, or has been dropped.
8. This appliance shall not be exposed to dripping or splashing water and no object filled with liquids such as vases shall be placed on the apparatus.
9. Do not overload wall outlet.
10. Operate controls and buttons as described in the manual.
11. Store your CDs, cassettes in a cool area to avoid damage from heat.
12. When moving the set,be sure to first disconnect the power cord.

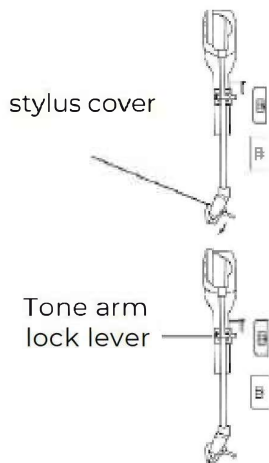
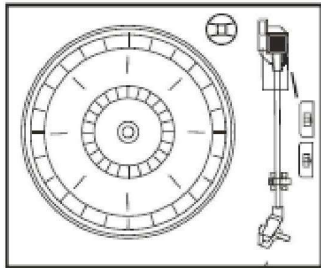
CLEANING THE CABINET

If the wooden cabinet becomes dusty please wipe it with a soft, non-abrasive dust cloth. Also don't use water or spray cleaners as this can damage the cabinet and the plastic/metal parts of the unit.

TECHNICAL SPECIFICATION

- Turntable speed: 33/45/78 RPM (Disc size 17.5/25/30cm)
- CD can play CD/CD-R/CD-RW/MP3
- USB can play MP3
- Cassette: C60 & C90 (C120 cassette is not recommended)
- Output power: 2x25W

PREPARATION FOR USE



- Carefully remove the unit from the carton and remove all packing material from the unit.
- Unwind the AC power cord and extend it to its full length.
- Unwind the FM Antenna wire and extend it to its full length.
- Raise the lid to expose the turntable.

- Remove the opaque white plastic stylus cover from the phonograph stylus by sliding it in the direction of the arrow.
- Please pay attention to the stylus during operation because stylus damage is not covered by the warranty.
- Remove the twist-tie that was used to secure the tone arm during shipment.

- Release the tone arm lock lever.

- Connect the power plug to your AC 220V, 50HZ outlet.

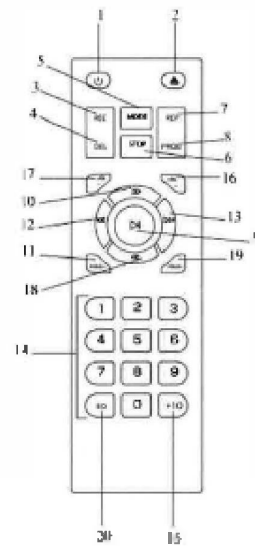
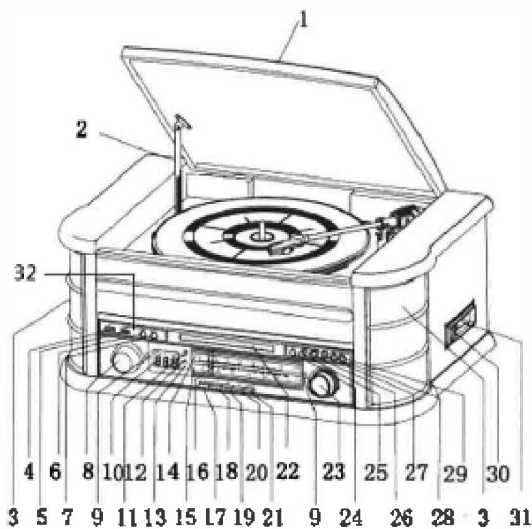
IMPORTANT: RAISING AND LOWERING THE TURNTABLE LID

To open the lid. Raise it as far as it can go until the lid support bracket locks in the position.

To close the lid. Pull forward the lid support bracket to release and then gently lower the lid.

TO AVOID DAMAGING THE CABINET OR THE LID, NEVER FORCE THE LID CLOSED. ALWAYS RAISE THE LID TO RELEASE THE LID SUPPORT BRACKET.

LOCATIONS OF CONTROLS AND INDICATORS



Locations of Controls:

1. TURNTABLE LID
2. TURNTABLE LID SUPPORT BRACKET
3. SPEAKERS
4. USB
5. AUX IN
6. RECORD/DELETE BUTTON
7. FUNCTION BUTTON
8. VOLUME CONTROL
9. TUNER BACKLIGHT
10. LCD DISPLAY
11. REMOTE CONTROL SENSOR
12. POWER INDICATOR
13. FM ST./REC INDICATOR
14. FM DIAL SCALE
15. AM DIAL SCALE
16. TUNING POINTER
17. AM BUTTON (MW)

18. FM BUTON (UKW)
19. CD/USB BUTTON
20. TAPE BUTTON
21. PHONO/AUX IN BUTTON
22. CD DRAWER
23. TUNING CONTROL
24. PLAY/PAUSE BUTTON(▶||)
25. STOP BUTTON(■)
26. DN/F.R BUTTON(9)
27. UP/F.F BUTTON(:)
28. PLAY MODE BUTTON
29. OP/CL BUTTON(▲)
(CD OPEN/CLOSE BUTTON)
30. CASSETTE EJ/F.F BUTTON
(EJECT/FAST FORWARD)
31. CASSETTE PLAYER SLOT
32. HEADPHONE CONNECTOR

Remote Control:

1. POWER ON/OFF
2. CD DOOR OPEN/
CLOSE BUTTON
3. RECORD BUTTON
5. MODE BUTTON
6. STOP BUTTON
7. REPEAT BUTTON
8. PROGRAM BUTTON
9. PLAY/PAUSE BUTTON
10. REWIND BUTTON

11. FOLDER-
12. SKIP- BUTTON
13. SKIP+ BUTTON
14. NUMERIC KEYBOARD
15. +10
16. volume+
17. volume-
18. FAST FORWARD BUTTON
19. FOLDER+
20. EQ

Press (5) on remote repeatedly to select FM / AM / CD / USB / AUX / PHONO / TAPE / BT mode

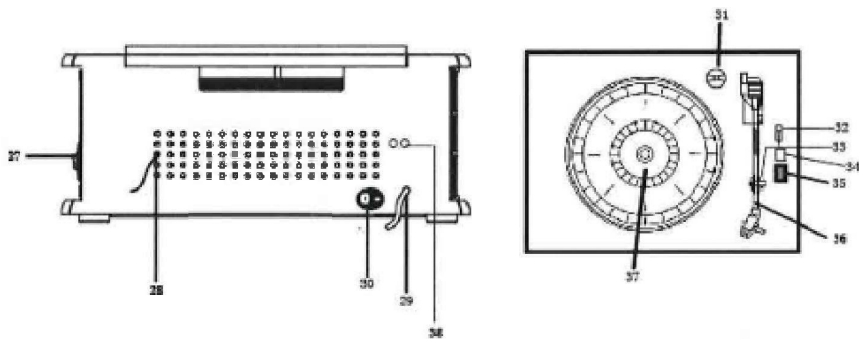
REMOTE BATTERY INSTALLATION

The infrared remote control requires 2
PCS UM-4 R03, AAA (3V) Battery
(excluded)

Note 1: All buttons on the remote control have the same function as the buttons on the unit. The remote control is just used for CD/MP3 and USB mode.

Note 2: Long pressing PLAY/PAUSE on remote control for 2 seconds will change between CD and USB.

Note 3: Long pressing DELETE on remote control for 2 times will delete file in USB mode.



REAR VIEW

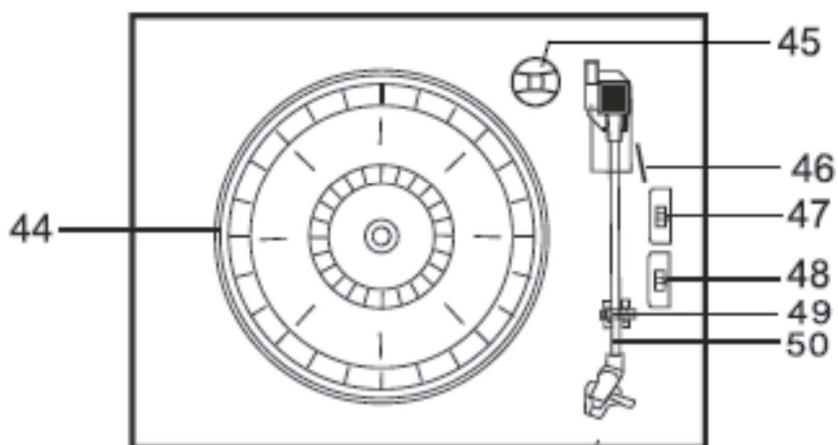
TURNTABLE

- 27. CASSETTE MECHANISM/TAPE STOP / EJECT
- 28. FM ANTENNA
- 29. AC CORD
- 30. ON/OFF SWITCH
- 31. ADAPTOR
- 32. TURNTABLE PAUSE SWITCH
- 33. PICK-UP HOLDER
- 34. Auto-stop ON/OFF
- 35. 33/45/78 RPM SPEED SELECTOR
- 36. Tone needle
- 37. TURNTABLE
- 38. LINE OUT

INFORMATION

The AM antenna is inside the cabinet. IF AM reception is unsatisfactory try re-positioning the cabinet slightly until the internal antenna is picking up the strongest signal.

The FM wire is located back of the cabinet. If necessary adjust the position and direction of this antenna until you find the position that provides the best reception.



- 44. Turntable
- 45. 45 rpmadapter
- 46. Cue lever
- 47. Auto Stop control
- 48. Speed selector (33/45/78 rpm)
- 49. Tone armlock
- 50. Tone armwith stylus

POWER ON/OFF

1. Press POWER to turn the system on. The power indicator lights up.
2. Press the function selector buttons (AM/FM/CD/USB/TAPE/PHONO/AUX IN) to select the desired function.
3. Start to adjust the volume by using the volume control button.
4. When finished listening press POWER again to turn off the system. The power indicator goes off.

Remark: The unit is comply with ERP2, the unit will turn to Standby mode if there is no operation on the unit after 15 mins, please press POWER button 2 times if you want to re-start the unit.

RADIO OPERATION

1. Press POWER to turn the system on.
2. Make sure you connected the FM antenna cable on the rear side of the unit. Press
3. MW button for AM or UKW button for FM radio.
4. Rotate the TUNING control to tune the desired radio station, the FM ST/REC indicator will light.

CD OPERATION

1. Press the CD/USB button to enter CD mode, the " --- " and ' DISC ' icon will be shown on the screen. The unit can play CD, CD-R and CD-RW.



2. Press the OP/CL button to open the CD drawer.
3. Place your disc in the CD drawer with the label side facing up.
4. Press the OP/CL button again to close the CD drawer. Playback will automatically start from the first track.
5. MP3 icon will be shown if MP3 file is detected in the disc.

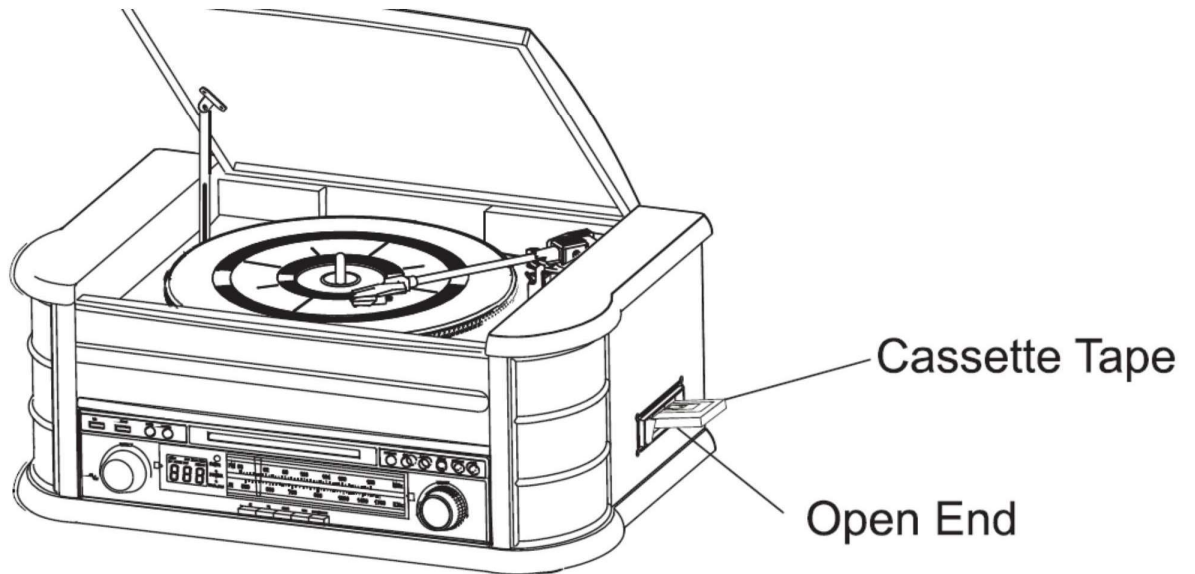


PLAYING CASSETTE

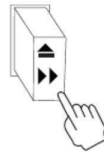
Note: Before inserting the tape in the player be sure that there is no excess slack in the cassette that could jam the mechanism

1. Press POWER to turn the system on.
2. Press TAPE button to enter TAPE mode.

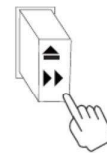
3. Insert your cassette into the slot located on the right side of the cabinet, as shown in the illustration, with the side you wish to play facing up and the open end on the right side.



4. Cassette playback begins as soon as the tape is inserted. Adjust the VOLUME control to the desired level.



5. To advance the tape rapidly, depress the button approximately half way. The tape will move forward rapidly as long as the button is depressed. Normal playback will resume when the button is released.



6. When the tape ends, the player stops automatically. Depress the button completely to remove the tape from the player. You may depress button to stop playing the tape at any time.
7. Press POWER again to turn the system off.

PLAYING VINYL RECORDS

The system includes a full-size, 3 speed, belt-drive turntable. You can play 33, 45 and 78rpm records.

1. Press POWER to turn the system on.
2. Press the PHONO button to enter the PHONO mode.
3. Make sure you have removed the stylus cover from the stylus and have released the tone arm lock that secured the tone arm to the tone arm rest.
4. Set the turntable speed selector to appropriate speed 33, 45 or 78rpm. If you are playing 45 rpm singles, place the 45rpm adapter on the centre spindle.
5. Place your record on the the centre spindle.
6. Raise the cue lever to lift the tone arm of its rest. Move the tone arm to the edge of the record. The turntable starts automatically. Use the cue lever to gently lower the tone arm onto the record.
7. Adjust the volume control to the desired level.
8. When the tone arm reaches the end of the record it automatically stops.
9. Press POWER again to turn the system off. The POWER indicator goes OFF.

Note: Do not turn or stop the turntable manually. Moving or jarring the turntable without securing the tone arm clamp could result in damage to the tone arm

AUX IN OPERATION

Connect the audio system into the AUX IN jack on the rear panel, Press the PHONO/AUX IN button. Start playing from the connected device.

USB OPERATION







1. Press the CD/USB button first and the FUNCTION button to enter USB mode. The ' --- ' and USB icon will be shown.
2. Insert a USB flash device into the USB socket.
3. PLAY/PAUSE, DN/UP and stop functions are the same as CD functions.

Note: You may press the FUNCTION on the panel or long press PLAY/PAUSE button on the remote control for 2 seconds to change the playing mode between CD and USB.

PLAYING IN MP3 MODE (CD/USB)

1. Press PLAY/PAUSE button to start or pause playback selected track.
2. While playing the song, the song number and folder number of the selected track will be shown in the display.
3. You can stop the playback at any time by pressing the STOP button.

TRACK SKIP AND HIGH SPEED TRACK SEARCH IN CD/USB MODE

During CD/USB playback press UP/F.F () or DN/F.R () button on the unit front panel or on the remote control repeatedly to change track. To rapidly search forward or backwards within a track press and hold UP/F.F () or DN/F.R () button. To skip 10 tracks back or forth then press TRACK-10 or TRACK+10 on the remote control.

USB RECORDING

1. CD recording
Insert USB flash drive into the USB socket. Then press CD/USB button. Place CD into the CD drawer and play the track which will be recorded. Press RECORD button once. It will show REC-ONE in display. Press RECORD button again to start recording one track.
To record all tracks, press RECORD button once, then press NEXT button and it will show "REC-ALL" in display. Then press RECORD button to start the recording.
NOTE: Recording will fail if pressing STOP button during recording
2. MP3 DISC recording
Insert USB flash drive into the USB socket. Then press CD/USB button. Place CD with MP3 files into the CD drawer and play the MP3 track which will be recorded. Press RECORD button twice to start recording. If all MP3 files is played, Then all tracks will be recorded.
NOTE: Recording will fail if pressing STOP button during recording
3. Cassette recording
Insert USB flash drive into the USB socket. Then press TAPE button. Place the cassette into the socket. Play cassette. Press RECORD button twice to start recording. Press STOP button to stop recording.
4. Vinyl recording
Insert USB flash drive into the USB socket. Then press PHONO/AUX IN button. Play the vinyl and press RECORD button twice to start recording. Press STOP button to stop recording.
5. AUX IN recording

Insert USB flash drive into the USB socket. Connect the external audio device into the AUX jack on the rear panel. Then press PHONO/AUX IN button and play audio and press RECORD button twice to start recording.

DELETE TRACKS FROM USB DISC

Press CD/USB button on the front panel or long press PLAY/PAUSE on remote control to select USB mode. Select the track and press delete for 2 seconds and the track is deleted.

Bluetooth

To connect the player for the first time to a playback device, using the Bluetooth function, you need to pair the device in advance.

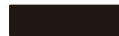
1. Power on the unit and adjust the sound level.
2. Select the BT mode by using the "CB/USB" button.
3. Using a wireless device (phone, tablet, etc.), enter the pairing settings of Bluetooth devices and find a new device called "Denver MCR-50" in the list.
4. Press the pairing button on the wireless device.
5. Adjust the volume using the volume control on the player or on the wireless device.

Attention: Make sure that the tonearm is at rest, otherwise the Bluetooth function will not work.

ALL RIGHTS RESERVED, COPYRIGHT DENVER A/S



www.denver.eu



Electric and electronic equipment contains materials, components and substances that can be hazardous to your health and the environment, if the waste material (discarded electric and electronic equipment) is not handled correctly.

Electric and electronic equipment is marked with the crossed out trash can symbol, seen below. This symbol signifies that electric and electronic equipment should not be disposed of with other household waste, but should be disposed of separately.

All cities have established collection points, where electric and electronic equipment can either be submitted free of charge at recycling stations and other collection sites, or be collected from the households. Additional information is available at the technical department of your city.

Hereby, Denver A/S declares that the radio equipment type MCR-50MK4 is in compliance with Directive 2014/53/EU. The full text of the EU declaration of conformity is available at the following internet address:

Please enter: www.denver.eu and then click the search ICON on the top line of website. Write model number: [MCR-50MK4](#)

Now enter product page and red directive is found under downloads/other downloads.

Operating Frequency Range: FM:88 -108MHz, AM:530-1600KHz BT Frequency: 2402MHz-2480MHz

Max Output Power: 2X25W/2X2.5W RMS

DENVER A/S

Omega 5A, Soeften

DK-8382 Hinnerup

Denmark

www.facebook.com/denver.eu

Contact

Nordics

Headquarter
Denver A/S
Omega 5A, Soeften
DK-8382 Hinnerup
Denmark

Phone: **+45 86 22 61 00**
(Push "1" for support)

E-Mail
For technical questions, please write to:
support.hq@denver.eu

For all other questions please write to:
contact.hq@denver.eu

Benelux

DENVER BENELUX B.V.
Barwoutswaarder 13C+D
3449 HE Woerden
The Netherlands

Phone: **0900 -3437623**

E-Mail: **support.nl@denver.eu**

Spain/Portugal

DENVER SPAIN S.A
Ronda Augustes y Louis Lumiere, n° 23 - nave 16
Parque Tecnológico
46980 PATERNA
Valencia (Spain)

Spain
Phone: **+34 960 046 883**
Mail: **support.es@denver.eu**

Portugal:
Phone: **+35 1255 240 294**
E-Mail: **denver.service@satfiel.com**

Germany

Denver Germany GmbH Service
Max-Emanuel-Str. 4
94036 Passau

Phone: **+49 851 379 369 40**

E-Mail
support.de@denver.eu

Fairfixx GmbH
Repair and service
Rudolf-Diesel-Str. 3 TOR 2
53859 Niederkassel

(for TV, E-Mobility/Hoverboards/Balanceboards,
Smartphones & Tablets)

Tel.: **+49 851 379 369 69**
E-Mail: **denver@fairfixx.de**

Austria

Lurf Premium Service GmbH
Deutschstrasse 1
1230 Wien

Phone: **+43 1 904 3085**
E-Mail: **denver@lurfservice.at**

If your country is not listed above,
please write an email to
support@denver.eu



DENVER A/S
Omega 5A, Soeften
DK-8382 Hinnerup
Denmark

denver.eu
facebook.com/denver.eu

Version 1.1