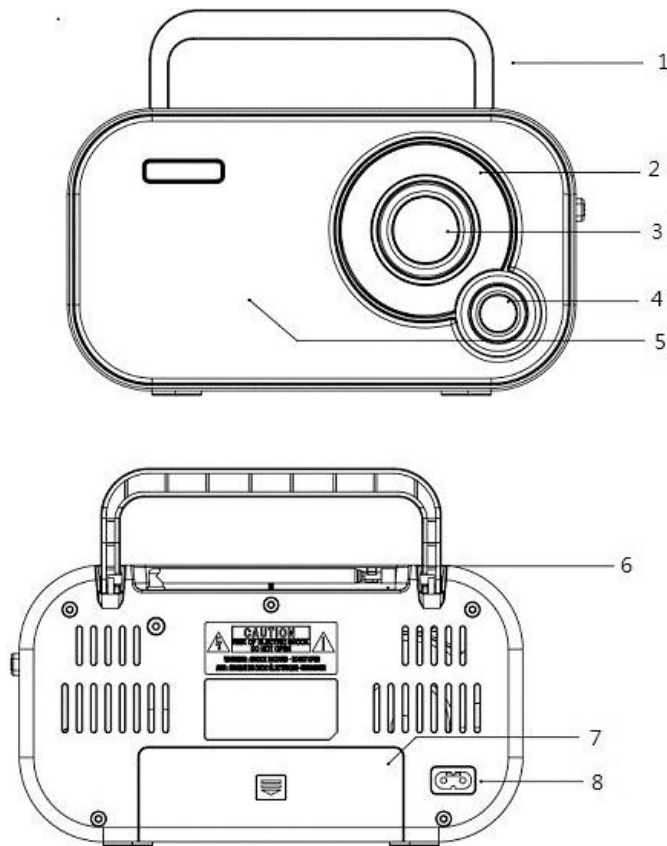


Safety information

Please read the safety instructions carefully before using the product for the first time and keep the instructions for future reference.

- 1.This product is not a toy. Keep it out of reach of children.
- 2.Keep product out of the reach of children and pets to avoid chewing and swallowing.
- 3.Never use old and new batteries or different types of batteries together. Remove the batteries when you are not using the system for a longer period of time. Check the polarity (+/-) of the batteries when inserting them in the product. Wrong positioning can cause an explosion. Batteries are not included.
- 4.Product operating and storage temperature is from 0 degree Celsius to 40 degree Celsius. Under and over this temperature might affect the function.
- 5.Never open the product. Touching the inside electrics can cause electric shock. Repairs or service should only be performed by qualified personnel.
- 6.Do not expose to heat, water, moisture, direct sunlight!
- 7.Please protect your ears against loud volume. Loud volume can damage your ears and risk in hearing loss.
- 8.The unit is not waterproof. If water or foreign objects enter the unit, it may result in fire or electric shock.
If water or a foreign object enters the unit, stop use immediately.
- 9.Do not use non original accessories together with the product as this can make the product functionality abnormal.

Model TR-51
AC/DC Portable FM Radio
Instruction Manual



COMPONENTS

1. Carry handle
2. FM frequency indicator
3. Tuning knob
4. Volume knob
5. Speaker
6. Telescopic antenna
7. Battery compartment
8. AC mains jack

BATTERY OPERATION

1. Open the battery compartment on the back of the product.
2. Insert four AA/UM-3 batteries (not included) with correct polarities indicated.
3. Remove the batteries from the battery compartment if the product is not used for long periods.
4. Remove all the batteries when operating this product by AC power supply.

Attention! Do not operate this product by AC power and battery power at the same time.

POWER OPERATION

1. Connect the supplied AC power cord to the AC mains jack on the back of the product.

TECHNICAL DATA

Input voltage: 230 V/AC, 50 Hz, or 4 x 1.5 V AA/UM-3 batteries (not included)

FM frequency range: 87.5 – 108 MHz

Please notice - All products are subject to change without any notice. We take reservations for errors and omissions in the manual.

ALL RIGHTS RESERVED, COPYRIGHT DENVER A/S



www.denver.eu



Electric and electronic equipment contains materials, components and substances that can be hazardous to your health and the environment, if the waste material (discarded electric and electronic equipment) is not handled correctly.

Electric and electronic equipment is marked with the crossed out trash can symbol, seen above. This symbol signifies that electric and electronic equipment should not be disposed of with other household waste, but should be disposed of separately.

All cities have established collection points, where electric and electronic equipment can either be submitted free of charge at recycling stations and other collection sites, or be collected from the households. Additional information is available at the technical department of your city.

Hereby, Denver A/S declares that the radio equipment type TR-51 is in compliance with Directive 2014/53/EU.

The full text of the EU declaration of conformity is available at the following internet address:

www.denver.eu and then click the search ICON on topline of website. Write model number: TR-51.

Now enter product page, and RED directive is found under downloads/other downloads.

Operating Frequency Range: FM 88-108MHz

Max Output Power: 0.7W

DENVER A/S

Omega 5A, Soeften

DK-8382 Hinnerup

Denmark

www.facebook.com/denver.eu