

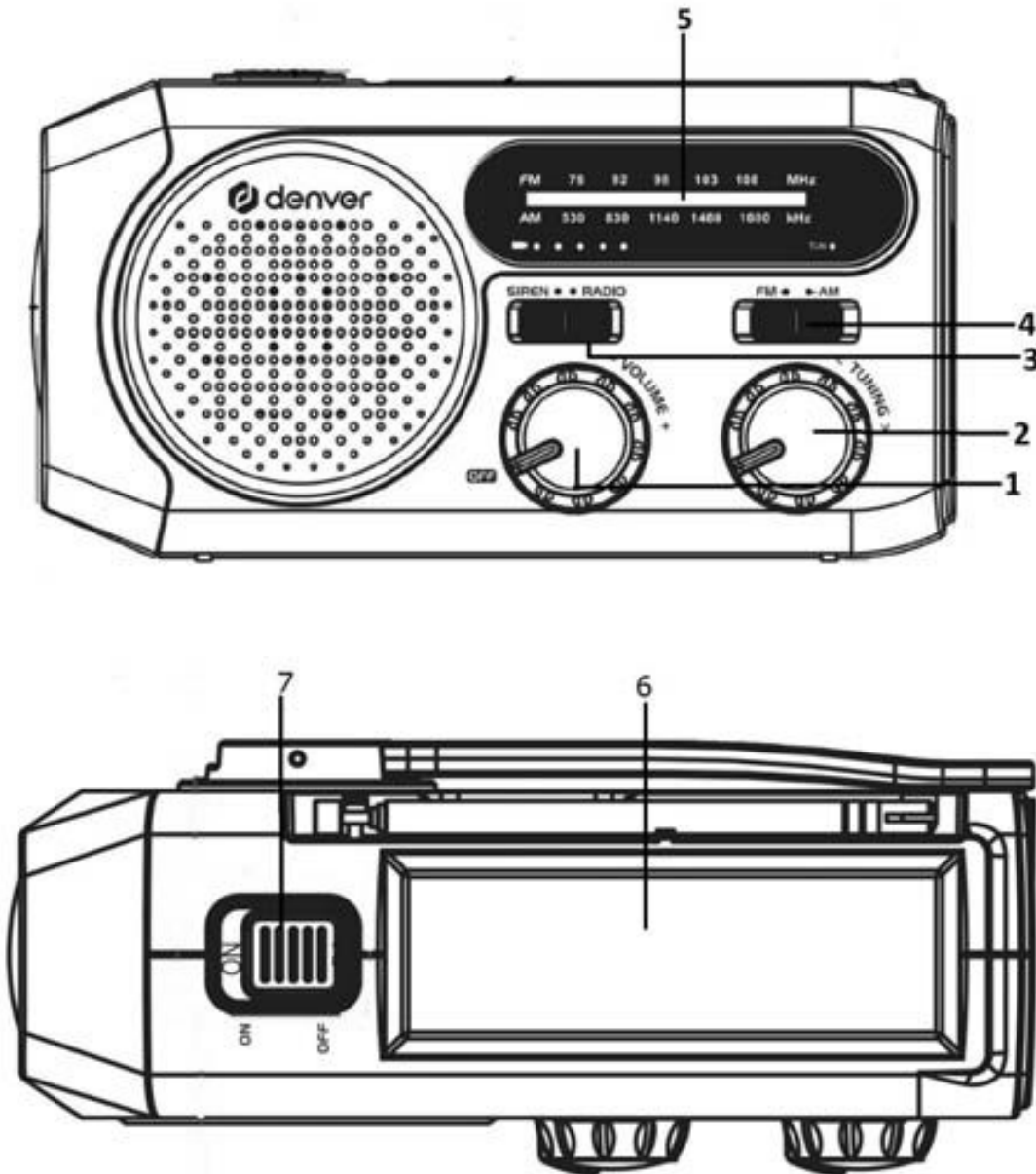
Safety Instructions

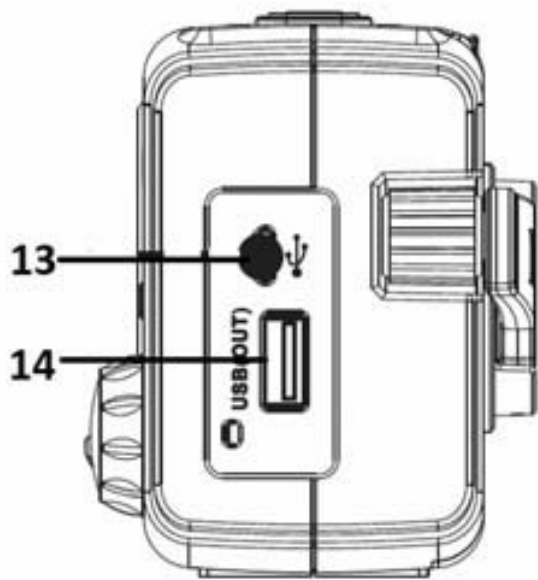
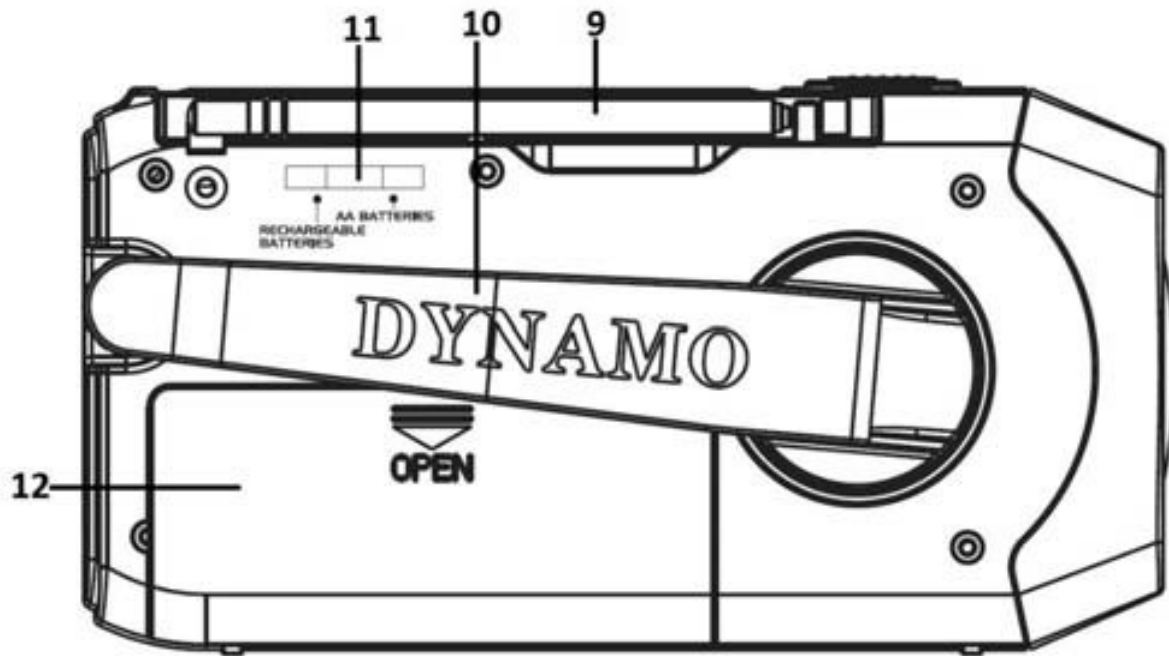
Please read the safety instructions carefully before using the product for the first time and keep the instructions for future reference.

1. This product is not a toy. Keep it out of reach of children.
2. Never use old and new batteries or different types of batteries together. Remove the batteries when you are not using the device for a longer period of time. Check the polarity (+/-) of the batteries when inserting them in the product. Wrong positioning can cause an explosion. Batteries are not included.
3. Keep product out of the reach of children and pets to avoid chewing and swallowing.
4. Please protect your ears when using the SOS siren, the high-volume sound may impair your hearing.
5. Do not look directly into the LED light. Also don't point the LED light directly at a person's face or eyes. Looking into strong LED light for longer time period can damage the sight.
6. Product operating and storage temperature is from -10 degrees Celsius to 60 degrees Celsius. Under and over this temperature might affect the function.
7. Never open the product. Repairs or service should only be performed by qualified personnel.
8. Do not expose to heat, water, and moisture.
9. Please protect your ears against loud volumes. Loud volumes can damage your ears and lead to hearing loss.
10. The unit is not waterproof. If water or foreign objects

enter the unit, it may result in fire or electric shock. If water or a foreign object enters the unit, stop using it immediately.

11. Do not use non-original accessories together with the product as this can make the product functionality abnormal.





1. Power/Volume Knob	9. FM Antenna
2. Tuning Knob	10. Dynamo Handcrank
3. Siren/Radio Switch	11. Battery Selector
4. AM/FM Switch	12. Battery Door
5. Dial Scale	13. DC Input
6. Solar Panel	14. USB Output
7. LED Light Switch	
8. LED light	

Power Supply

DC 4.5V: AAA/LR03 1.5V Battery x 3pcs (not included) or
Lithium-ion cell battery 3,7V/2000mAh (included)

Accessories Included

USB Charging Cable

Radio Operation

1. Open the Battery Door by sliding it downwards. Insert

3pcs AAA/LR03 batteries into the battery compartment according to the correct polarity as shown inside.

2. Rotate the Power/Volume Knob clockwise to turn on the radio, you will hear a “click” sound, and adjust the volume.
3. Set the AM/FM switch to your desired radio band.
4. Fully extend the FM Antenna to get the best radio reception.
5. Rotate the Tuning Knob to find your desired radio station, you can see the radio frequency on the Dial Scale.
6. The tuning indicator will light up when a radio signal is received.

SOS Function

Set the Siren/Radio Switch to “Siren” for SOS.

The emergency alarm will be sounded together with LED flashing light.

LED Light

Turn on the flashlight by switching the LED Light Switch to ON position.

Charging the built-in Lithium-ion cell battery

Set the Battery Selector to “RECHARGEABLE BATTERIES”, turn the radio & LED light off.

1. To charge the rechargeable battery by solar power, face the Solar Panel to direct sunlight. It may take up to

50+ hours to fully charge the battery, depending on the weather condition.

2. To charge the rechargeable battery by hand crank, unfold the handle at the backside of the unit and rotate clockwise by 3-5 minutes to activate the battery, then continuously rotate the handle at a speed of 130-150 RPM to charge the battery.
3. To charge the rechargeable battery by DC Input, connect one end of the provided USB charging cable to the DC Input Micro USB port, connect the other end to your AC/DC adaptor or external power supply (5V 1A), it will take about 4-5 hours to fully charge the battery.

The battery indicator will be flashing when the unit is being charged.

The indicator has 4 lights to show the battery capacity:

1 light = 3% to 25%

2 lights = 25% to 50%

3 lights = 50% to 75%

4 lights = 75% to 100%

USB output for charging mobile phone

The USB output can be used to charge your mobile phone. Connect one end of your charging cable (USB Type-A) to the

USB output at the right side of the unit, the other end to your mobile phone.

Note: Only use the original USB charging cable provided with your mobile phone.

Specifications

USB Output: 5V 1000mA

LED Light: 1W/100 lm

Please notice - All products are subject to change without any notice. We take reservations for errors and omissions in the manual.

ALL RIGHTS RESERVED, COPYRIGHT DENVER A/S



denver.eu



Electric and electronic equipment and included batteries contains materials, components and substances that can be hazardous to your health and the environment, if the waste material (discarded electric and electronic equipment and batteries) is not handled correctly.

Electric and electronic equipment and batteries is marked with the crossed out trash can symbol, seen above. This symbol signifies that electric and electronic equipment and batteries should not be disposed of with other household waste, but should be disposed of separately.

As the end user it is important that you submit your used batteries to the appropriate and designated facility. In this manner you make sure that the batteries are recycled in accordance with legislature and will not harm the environment.

All cities have established collection points, where electric and electronic equipment and batteries can either be submitted free of charge at recycling stations and other collection sites, or be collected from the households. Additional information is available at the technical department of your city.

Hereby, Denver A/S declares that the radio equipment type SCR-2010 is in compliance with Directive 2014/53/EU. The full text of the EU declaration of conformity is available at the following internet address:denver.eu and then click the search ICON on topline of website. Write model number: SCR-2010. Now enter product page, and RED directive is found under downloads/other downloads.

Operating Frequency Range: FM 88-108MHz, AM 530-1620KHz

Max Output Power: 5W

DENVER A/S

Omega 5A, Soeften

DK-8382 Hinnerup

Denmark

www.facebook.com/denver.eu