

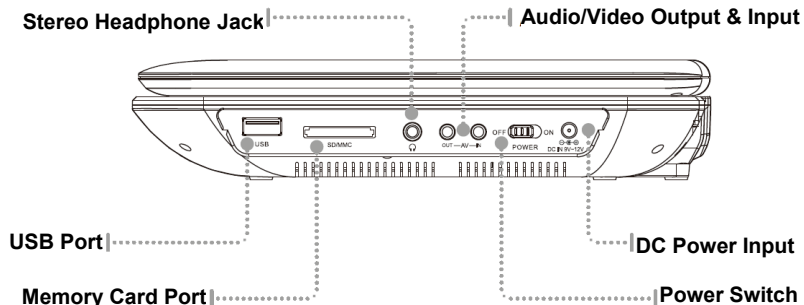
DENVER®

USER'S GUIDE

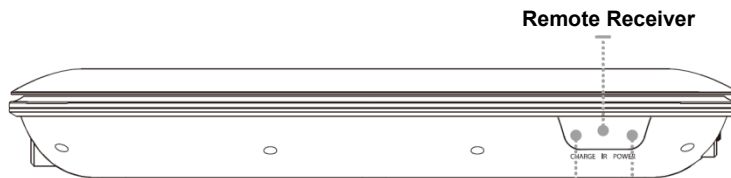
MT-1084NB

FUNCTIONS & CONTROLS

Side View

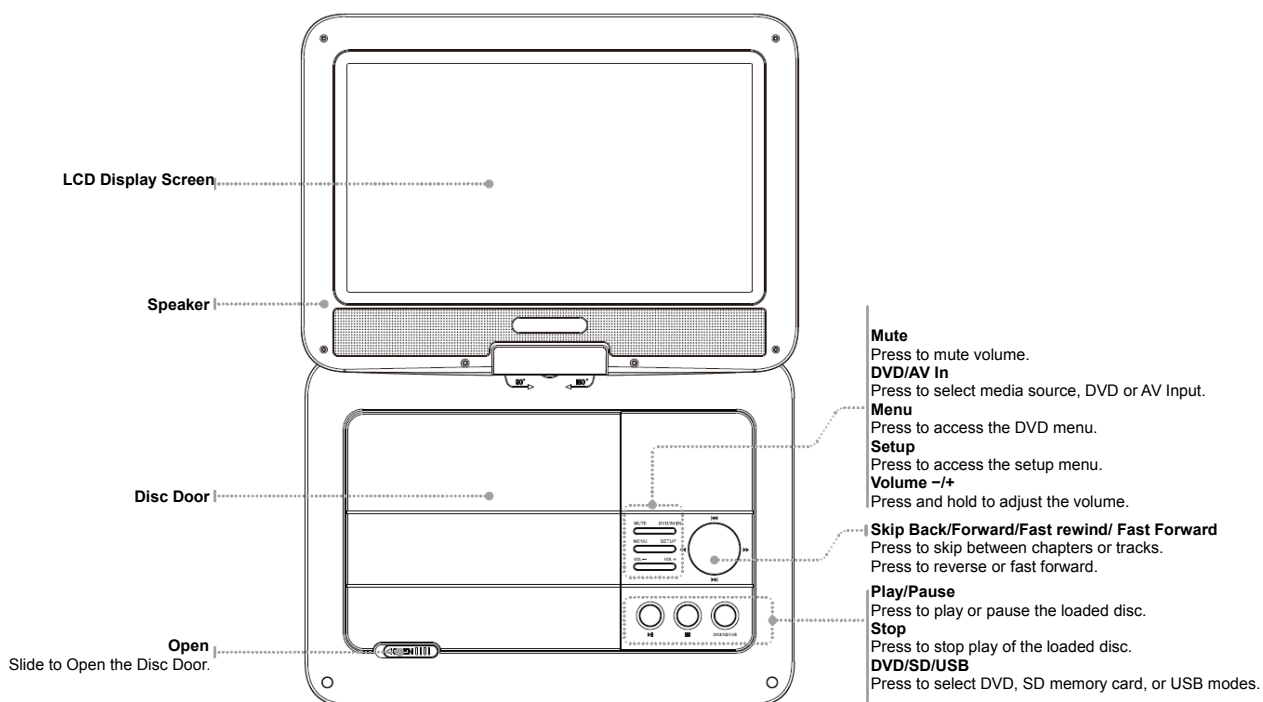


Front View



Turns red when the portable DVD player is charging and off once the unit is fully charged

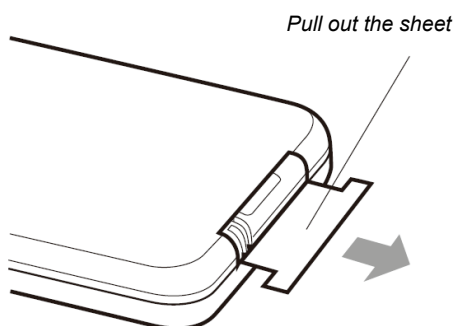
Turns green when the portable DVD player is Powered on



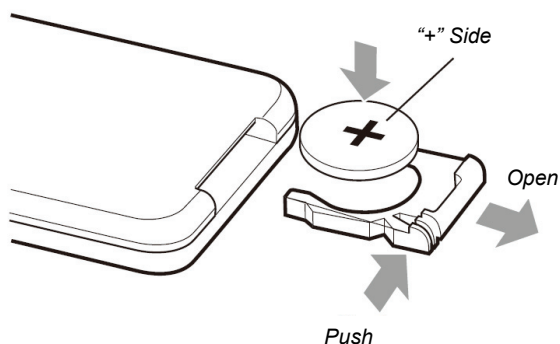
REMOTE

Remote Battery

The remote control needs to install battery. When using remote control at the first time, please pull out the insulation sheet from the button cell holder. The battery will be energized and ready to use.



Battery Installation/removal



Please note: Battery type required is "Cr2025"

TFT

LCD On/Off

MUTE

Press to mute the volume.

SETUP

Press to access the setup menu.

ARROWS /OK

OK is used for selecting; Up / Down / Left / Right directions buttons are used for moving Up / Down / Left / Right in disc menu or setup menu.

AUDIO

Press to change the audio setting according to the disc.

OSD

Display current title and time of playback.

PLAY /PAUSE

BACKWARD

Press to rewind. Press to change the speed mode of rewind.

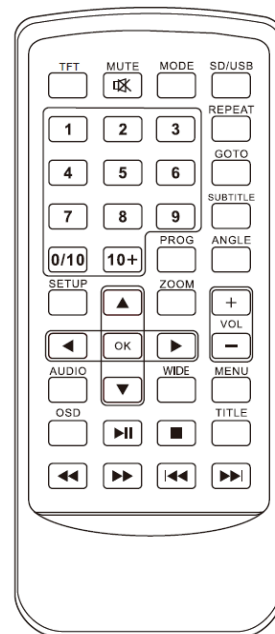
FORWARD

Press to fast forward. Press to change the speed mode of fast forward.

PREV

Press to skip back between chapters or tracks.

Next



Press to skip forward between chapters or tracks

MODE

Press to switch between AV IN and DVD mode.

SD /USB

Press to select between DVD, USB and SD/MMC card input.

REPEAT

Press to repeat the current chapter or track.

GO TO

Press to select the time you want to start playing with the number keys.

SUBTITLE

Press to switch caption and turn on or off.

PROG

Press to play contents of disc in the order you want by programming the track to be played.

ANGLE

On supported DVDs, press and hold to view alternate angles.

ZOOM

Press to zoom in or zoom out the image on the display when playing a loaded DVD.

VOLUME +/-

Press to adjust the volume level.

WIDE

Press to switch between different aspect ratio settings.

MENU

Press to access DVD disc menu.

TITLE

Press to access the title menu of a loaded DVD.

STOP

POWER

Power and Charging the Internal Battery

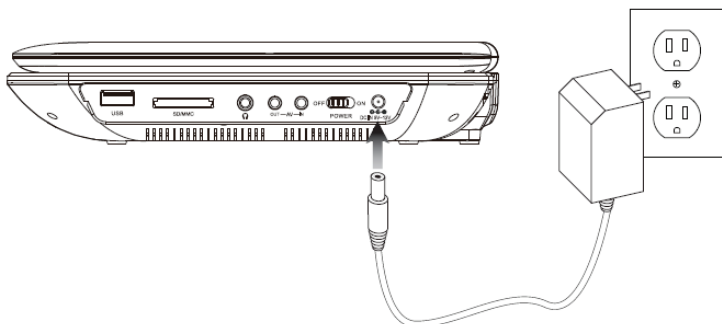
DC Power input: requires an AC/DC adapter, or 12V DC car adapter (included).

TO POWER THE UNIT, plug the included **AC/DC adapter** into the unit and a standard wall outlet.

If using in a car, plug the **12V DC car adapter** into the unit and a standard 12V Power outlet in the car.

The **Power Indicator** will turn green whenever the portable DVD player is powered on.

The **Charge Indicator** will turn red whenever the battery is charging.



CONNECTING & PLAYING MEDIA

Loading and Playing a Disc

1. Slide the **Open** latch to open the **Disc Door**.
2. Load a disc into the **DVD player**, label side facing up. Close the **Disc Door**. After a disc is loaded, it will

begin playing automatically.

3. If the disc does not begin playing automatically, press the **Play/Pause** button.

Programming a Loaded Disc

1. While the loaded disc is playing, press the **PROG** button on the remote control.
2. Use the **Arrow** buttons to select a program slot.
3. Use the **Number Keypad** to enter in the chapter and title, or track.
4. Titles and chapters, or tracks will play in the order they are listed.
5. Repeat step 3 until the desired titles and chapters, or tracks are programmed.
6. Use the **Arrow** buttons to highlight the on-screen START button. Press the **OK** button to begin playing the programmed disc.

Connecting a USB Thumb Drive

AVI, VOB, MPEG 1, MPEG 2 and MPEG 4 video formats are supported.

1. Connect a **USB thumb drive** to the **USB Port**.
2. Press the **DVD/SD/USB** button to enter **DVD/SD/USB** mode.
3. Use the **Up/Down Arrow** and **Play** buttons to select **USB mode** and play content from the connected USB thumb drive.

Connecting a Memory Card

AVI, VOB, MPEG 1, MPEG 2 and MPEG 4 video formats are supported. Note: Formats are not universally compatible. Playback may be dependent on recording conditions.

1. Connect a **SD or MMC memory card** to the **Memory Card Port**.
2. Press the **DVD/SD/USB** button to enter **DVD/MCR/USB** mode.
3. Use the **Up/Down Arrow** and **Play** buttons to select **MCR mode** and play content from the connected memory card.

Accessing the Setup Menu

To access the Setup Menu, press the **Setup** button on the DVD player or the remote control.

Using the 3.5mm AV Output

Require a 3.5mm to 3x RCA audio/video cable (included).

1. Connect the **3.5mm to 3x RCA** audio/video cable to the **AV Output** on the unit's display.
2. Connect the **3.5mm to 3x RCA** audio/video cable to the **RCA stereo audio inputs** and **composite video input** on a television.
3. Audio and video played through the portable DVD player will now be seen and heard through the connected television.

Using the 3.5mm AV Input

Require a 3.5mm to 3 x RCA audio/video cable (included).

1. Connect the **3.5mm to 3 x RCA audio/video cable** to the **3.5mm AV Input** on the portable DVD player and the composite video outputs on an audio/video source such, as a television.
2. Press the **DVD/AV In** button to switch to **AV In** mode.
3. Audio and video played from the connected source (a television) will now be output to the portable DVD player.

WARNING

- a. Do not ingest battery, Chemical Burn Hazard
- b. The remote control contains a coin / button cell battery. If the coin / button cell battery is swallowed, it can cause severe internal burns in just 2 hours and can lead to death;
- c. Keep new and used batteries away from children.
- d. If the battery compartment does not close securely, stop using the product and keep it away from children
- e. If you think batteries might have been swallowed or placed inside any part of the body, seek immediate medical attention

AC/DC adapter

Manufacturer's name or trade mark, commercial registration number and address	Shenzhen Technolog Co., Ltd Address: Building A, No.21, XiFu Road, Red Star Community, SongGang Street Baoan District , Shenzhen, Guangdong Province, 518105, P.R.China
Model identifier	TEKA018-1201500EU
Input voltage	100-240V
Input AC frequency	50/60Hz
Output voltage	12.0V
Output current	1.5A
Output power	18.0W
Average active efficiency	86.64% at 115V 60Hz 86.67% at 230V 50Hz
Efficiency at low load (10%)	84.65% at 115V 60Hz 80.53% at 230V 50Hz
No-load power consumption	0.039W at 115V 60Hz 0.066W at 230V 50Hz

Please notice - All products are subject to change without any notice. We take reservations for errors and omissions in the manual.

ALL RIGHTS RESERVED, COPYRIGHT DENVER ELECTRONICS A/S

DENVER®

www.denver-electronics.com



Electric and electronic equipment contains materials, components and substances that can be hazardous to your health and the environment, if the waste material (discarded electric and electronic equipment) is not handled correctly.

Electric and electronic equipment is marked with the crossed out trash can symbol, seen above. This symbol signifies that electric and electronic equipment should not be disposed of with other household waste, but should be disposed of separately.

All cities have established collection points, where electric and electronic equipment can either be submitted free of charge at recycling stations and other collection sites, or be collected from the households. Additional information is available at the technical department of your city.

DENVER ELECTRONICS A/S

Omega 5A, Soeflen

DK-8382 Hinnerup

www.facebook.com/denverelectronics