



JST-10020
denver.eu

User Manual
25/10/2021

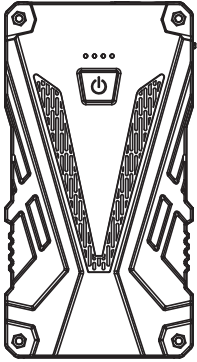
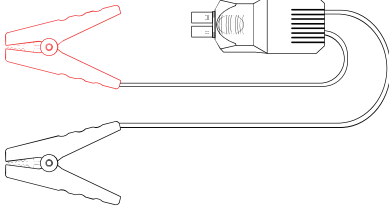
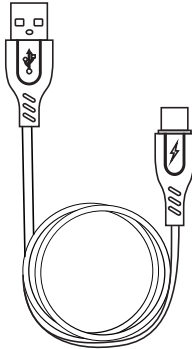

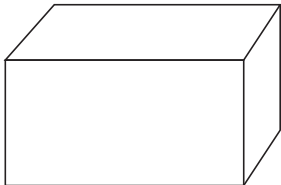
Important Safety Information for JST-10020 Jump Starter

WARNING: Please read the safety instructions carefully before using the product for the first time and keep the instructions for future reference.

- 1.This product is not a toy. Keep it out of reach of children.
- 2.Please keep the product away from pets.
- 3.Warning - this jump starter is with lithium polymer battery inside.
- 4.Do not disassemble the product, it may cause damage.
- 5.Do not expose to heat, water, moisture, direct sunlight!
- 6.Do not attempt to replace the battery yourself- you may damage the battery, which could cause overheating and injury. Repairs or service should only be performed by qualified personnel.
- 7.Battery must be recycled or disposed of separately from household waste. Do not incinerate the battery.
- 8.To reduce the risk of fire or electric shock, do not expose this product to rain or moisture.
- 9.Please remove the USB charging cable when the jump starter is fully charged.
- 10.Do not place the products in high temperature environment for long time. The operating temperature: 0~45°C.
- 11.Do not drop or expose to impact shock in any way.
- 12.Do not use chemicals or detergents to clean the product.
- 13.Replacement of an incorrect type of battery can be hazardous and it is not allowed.
- 14.Disposal of a battery into fire or a hot oven, or mechanically crushing or cutting of a battery, can result in an explosion.
- 15.Do not expose to extremely high temperature surrounding environment. This can result in an explosion or leakage of flammable liquid or gas.
- 16.Do not expose the battery to extremely low air pressure. This may result in an explosion or leakage of flammable liquid or gas.
- 17.Check the power of the product at the least every three months, and charge the product in time.

IMPORTANT: Follow the instruction manual carefully. If not used properly, this product can be dangerous and may cause personal injury or life threatening situations.

Package Content

 <p>1x Jump Starter</p>	 <p>1x Smart Jumper Cables</p>	 <p>1x Type C cable</p>
 <p>1x User Manual</p>	 <p>1x Storage Box</p>	

Introduction

Thank you for purchasing DENVER JST-10020 car jump starter. Please read the user manual carefully before you start to use the product.

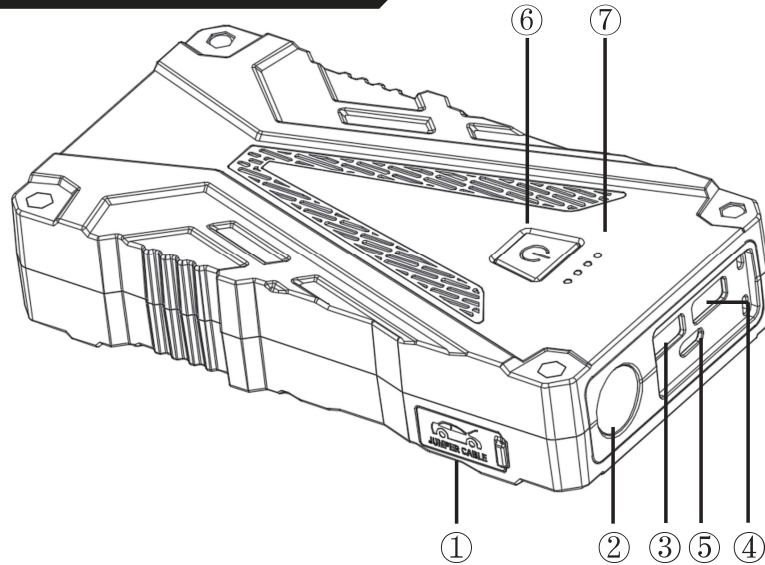
Key Features

A powerful Jump Starter: Car Jump starter can jump starts 12V cars,SUV,truck or van (5.0L petrol or 4.0L diesel engine) in seconds up to 30 times.

Portable Charger with 12V-1.5A/9V-2A/5V-3A & 5V-2.4A:Ensures the fastest charging efficiency,4x faster than conventional charger,backward compatible with QC 1.0 and 2.0

Powerful LED lights: Ultra-bright LED flash light,stroke light, and SOS signal light that lasts 120 hours.

Know Your Product

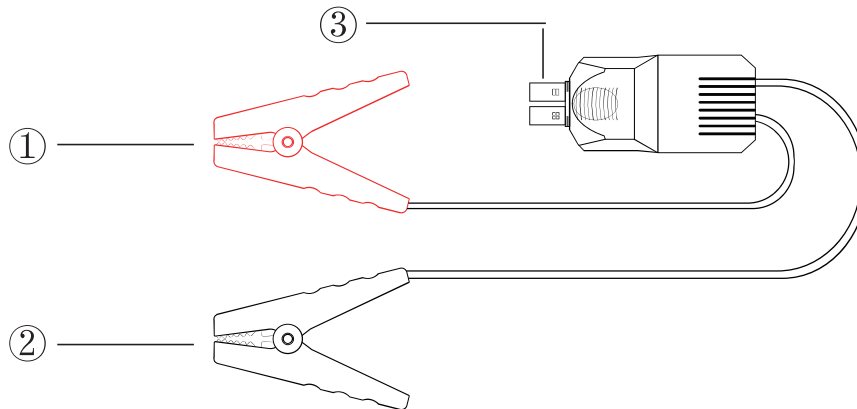


1.Jump Starting Port
2.LED Light

3.USB Output 1
4.USB output 2

5.Type C Input
6.Power Switch
7.Battery Indicator

Powerful Circuit Protection System-Smart Clamps



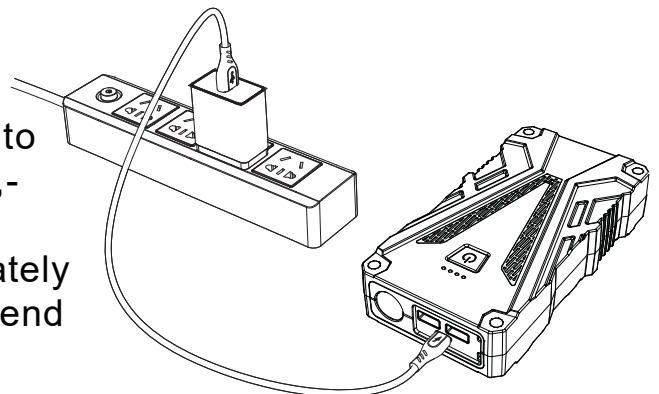
1.Red Jumper Cable(+) 2.Black Jumper Cable (-)

3.Smart Clamp Plug

Getting Started

Charging your Jump Starter

- 1.Please user a 5V2A/9V2A/12V1.5A adapter to charge the product. (Type C cable is included,- adapter is not included)
- 2.Using a 5V/2A adaptor,it will take approximately 5 hours to fully charge the unit. In order to extend the fully charge the unit every 3-6 months



(adapter is not included)

Turn On your Jump Starter

Short press the power switch to boot the system, the battery indicator lights will turn on. For energy saving, the system will turn to standby mode if there is no operation within 20 seconds.

LED Light

Long press the power switch more than 3 seconds to turn on the light mode. There are three modes which are ON, SOS and Strobe, simply short press the power switch button to change the 3 modes or turn off the light mode. And you also can press the power switch button for more than 3 seconds to turn off the light mode.

Dual USB Output

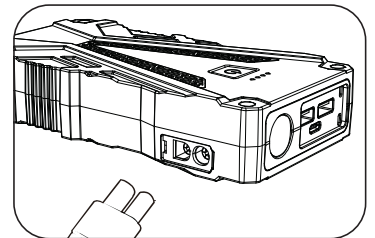
This portable jump starter is also equipped with two smart USB outputs that provide the fastest charging speed (USB1: 5V3A/9V2A/12V 1.5A; USB2: 5V 2.4A) for your portable electronic devices, such as phones, tablets, Bluetooth earphones, etc mode. And you also can press the power switch button for more than 3 seconds to turn off the light mode.

Jump-starting Your Car

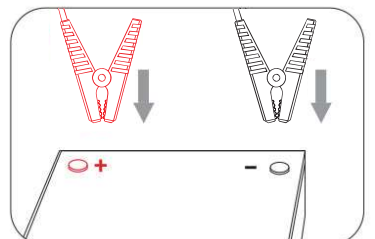
Note:

1. This product is for 12V car only. Check to make sure that 3 or 4 indicator lights are illuminated (battery level is above 50%) before you use it to jump start your car.
2. Before using the jump starter to start the engine, please keep the doors and lights off.

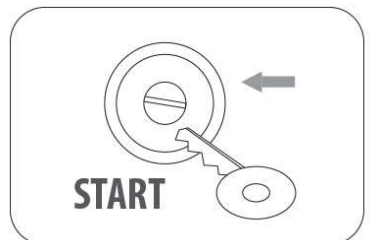
1. Insert the plug of the smart clip completely into the jump starter, the green and red lights flash alternately.



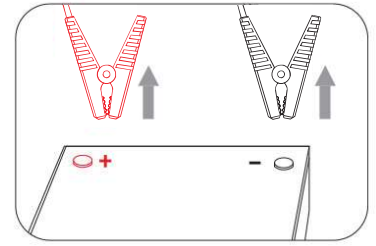
2. Correctly clip the red and black clamps to the electrodes of the car battery (red to positive and black to negative) (The green light stays on)



3. Start the vehicle.



4. When the vehicle is started, remove the jumper cable from the vehicle battery immediately.



In any of the following situations, the smart clamp turns on protection mode: ▼

LED indicator:	Situations:
The red/green led will flash	Ready to work
The green light is always on	Work status
The red light is on without buzzing	The jump starter's battery is low and need be charged.
The red light is always on, and the buzzer sounds	The temperature of the smart clip is abnormal or the positive and negative poles may be short-circuited, please remove the smart clip immediately.
The green light LED flashes slowly	The starting is not be finished after connecting the smart clip for 90 seconds.

Jumpstart your Car

1. Use the original smart clip to start the car.
2. Do Not use this unit if any cable clamp or cord is damaged.
3. Start only for 12V vehicles, or it will cause serious damages to the unit.
4. Do not jump start your car when the DENVER JST-10020 capacity is lower than 30%
5. Do not connect two clamps together when the starter is powered on. And do not connect both cable clamps to the same piece of metal.
6. If the engine does not start on the first try, disconnect it from the car battery and wait for at least 20 seconds before reconnecting. Maximize three and wait for at least 20 seconds before reconnecting. Maximize three attempts in two minutes.
7. Once the engine is successfully started, disconnect the clamp with 30 seconds.

Please notice - All products are subject to change without any notice. We take reservations for errors and omissions in the manual.

ALL RIGHTS RESERVED, COPYRIGHT DENVER A/S



Electric and electronic equipment contains materials, components and substances that can be hazardous to your health and the environment, if the waste material (discarded electric and electronic equipment) is not handled correctly.

Electric and electronic equipment is marked with the crossed out trash can symbol, seen above. This symbol signifies that electric and electronic equipment should not be disposed of with other household waste, but should be disposed of separately.

All cities have established collection points, where electric and electronic equipment can either be submitted free of charge at recycling stations and other collection sites, or be collected from the households. Additional information is available at the technical department of your city.

Hereby, Denver A/S declares that the radio equipment type JST-10020 is in compliance with Directive 2014/53/EU. The full text of the EU declaration of conformity is available at the following internet address: denver.eu and then click the search ICON on topline of website. Write model number: JST-10020. Now enter product page, and RED directive is found under downloads/other downloads.

Peak Current: 600A

Starting Current: 300A

DENVER A/S

Omega 5A, Soefte

DK-8382 Hinnerup

Denmark

www.facebook.com/denver.eu