



SCR-2000

denver.eu

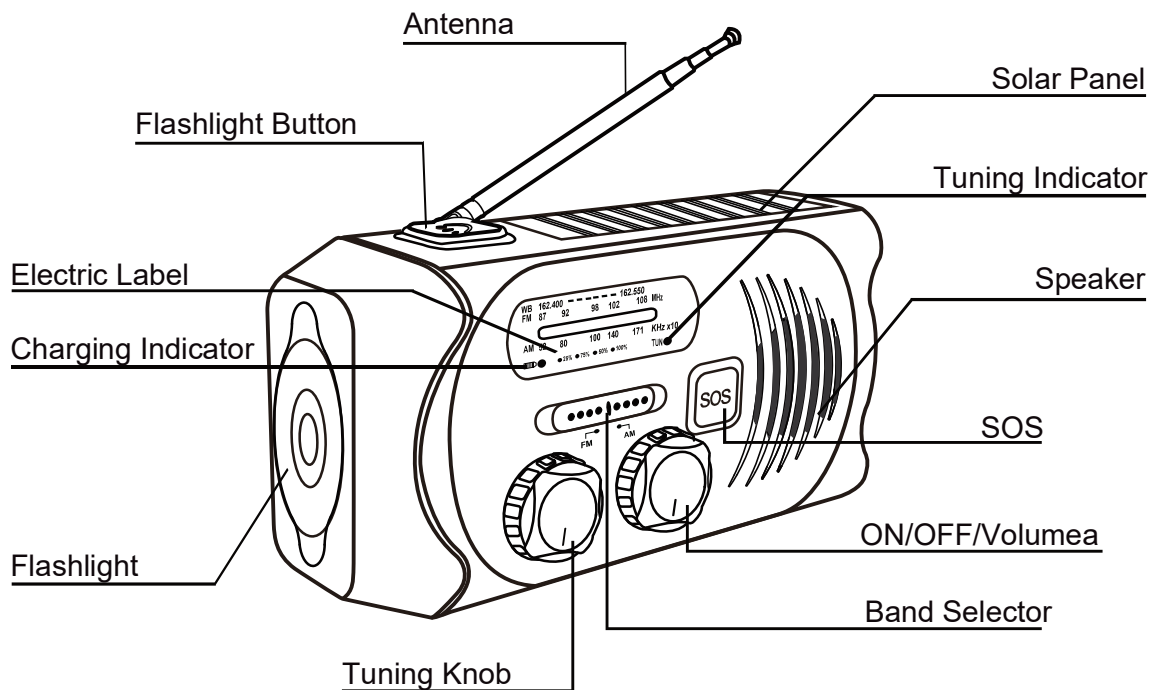
04/2022

SAFETY INFORMATION

Please read the safety instructions carefully before using the product for the first time and keep the instructions for future reference.

1. This product is not a toy. Keep it out of reach of children.
2. Keep product out of the reach of children and pets to avoid chewing and swallowing.
3. Do not look directly into the LED light. Also don't point the LED light directly at other persons face/eyes. Looking into strong LED light for longer time period can damage the sight.
4. Product operating and storage temperature is from -10 degree Celsius to 60 degree Celsius. Under and over this temperature might affect the function.
5. Never open the product. Repairs or service should only be performed by qualified personnel.
6. Do not expose to heat, water and moisture!

7. Please protect your ears against loud volume. Loud volume can damage your ears and risk in hearing loss.
8. The unit is not waterproof. If water or foreign objects enter the unit, it may result in fire or electric shock. If water or a foreign object enters the unit, stop use immediately.
9. Do not use non original accessories together with the product as this can make the product functionality abnormal.



RADIO OPERATION

- Rotate the volume control knob to turn on the radio and adjust volume.
- Select FM/AM with Band Selector. Extend the antenna to get better signal.
- Rotate the Tuning Knob to select a channel. Green tuning indicator will turn on when a channel is properly selected.

FLASHLIGHT

- Press the Flashlight button to turn it on/off.

SOS

- Press the "SOS" button twice to turn it on. Press the "SOS" button again to turn it off.

POWER YOUR RADIO

- Before you power your radio, make sure to read the SAFETY INSTRUCTIONS.

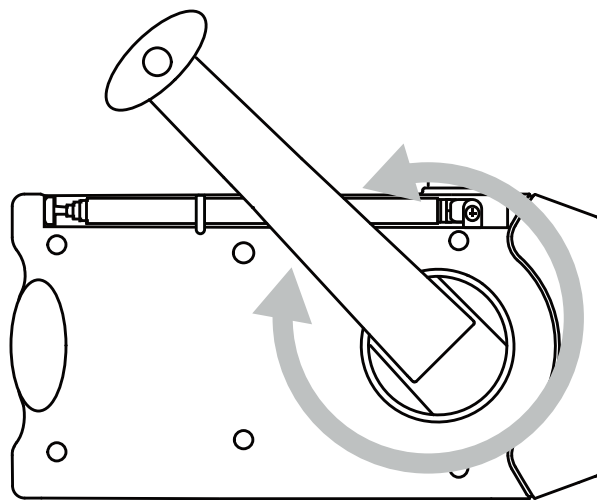
SOLAR POWER

- Place solar panel in direct sunlight.

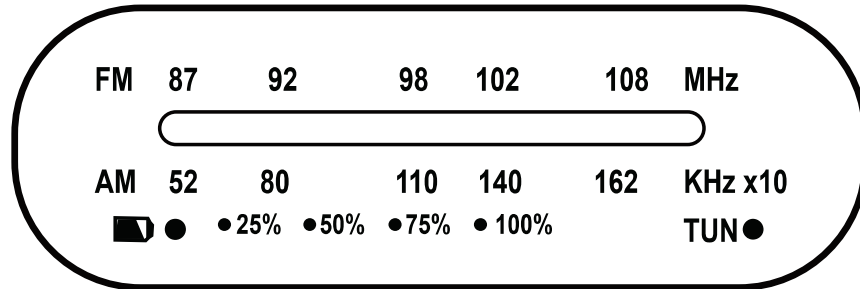
- Charging indicator will turn red when the battery is being charged.
- It is difficult to fully charge the unit with solar panel, which is mostly used for maintaining the battery.
- Do not charge the radio in a hot area such as a car. It is also advised to turn the radio off when charging.

HAND CRANK

- Unfold the handle from the backside of the radio and rotate it in either direction.
- Turn the hand crank for 3-5 minutes to activate the internal battery for initial use.
- Wind the hand crank at a speed of 130-150 RPM to generate power.



ENG 4



POWER INDICATOR

- This unit has 4 blue power indicator lights to show the remaining power capacity. (C=Capacity)
- 4 lights on: $C > 75\%$
- 3 lights on: $50\% < C < 75\%$
- 2 lights on: $25\% < C < 50\%$
- 1 light on: $3\% < C < 25\%$
- The first light flashing: $C < 3\%$

NOTE

- The supplied charging cable is only for charging Micro USB/ iPhone devices (with adaptor). Other USB devices should be charged using their original charging cable.

SPECIFICATIONS

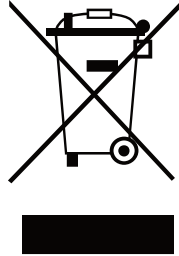
Frequency range	AM 522-1620 KHz FM 87-108 MHz
Dimensions	14.5 x 6 x 7.5 cm
Weight	300 g / 0.67 lb
Operating voltage	2.7 V-4.2 V
Output voltage/current	5V/900mA
Water-resistance level	IPX3
LED flashlight	1W/80LM
Power supply	3.7V/2000mAh 18650 Li-ion
Charging time (USB)	About 4 hours
After fully charged the device supports	Radio play (medium volume): 15-18 h. Flashlight: 10-12 h
After one minute of winding the device supports	Radio play (medium volume): 5-8 min. Flashlight: 10-15 min

Please notice - All products are subject to change without any notice. We take reservations for errors and omissions in the manual.

ALL RIGHTS RESERVED
COPYRIGHT DENVER A/S



denver.eu



Electric and electronic equipment and included batteries contains materials, components and substances that can be hazardous to your health and the environment, if the waste material (discarded electric and electronic equipment and batteries) is not handled correctly.

Electric and electronic equipment and batteries is marked with the crossed out trash can symbol, seen above. This symbol signifies that electric and electronic equipment and batteries should not be disposed of with other household waste, but should be disposed of separately.

As the end user it is important that you submit your used batteries to the appropriate and designated facility. In this manner you make sure that the batteries are recycled in accordance with legislature and will not harm the environment.

All cities have established collection points where electric and electronic equipment and batteries can either be submitted free of charge at recycling stations and other collection sites, or be collected from the households. Additional information is available at the technical department of your city.

Hereby, Denver A/S declares that the radio equipment type SCR-2000 is in compliance with Directive 2014/53/EU. The full text of the EU declaration of conformity is available at the following internet address: denver.eu

and then click the search ICON on topline of website. Write model number: SCR-2000. Now enter product page, and RED directive is found under downloads/other downloads.

Operating Frequency Range: AM 522-1620 KHz, FM 87-108 MHz

Max Output Power: 8W

DENVER A/S

Omega 5A, Soeften

DK-8382 Hinnerup

Denmark

www.facebook.com/denver.eu

Warning!

- Lithium battery inside!
- Do not try to open the product!
- Do not expose to heat, water, moisture or direct sunlight!
- Only charge with the original charger supplied with this product!