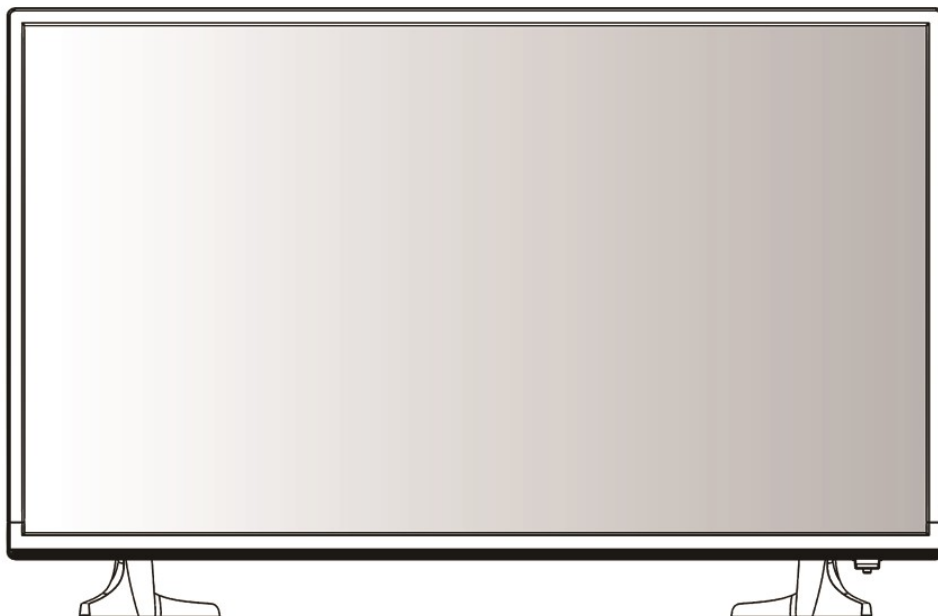


# DENVER®

---

## HD LED TV with DVB-T2/S2/DVB-C and H.265/HEVC Support

Model: LED-3279



Quick start guide  
Kurzanleitung  
Guía de inicio rápido  
Snelstartgids  
Guide de démarrage rapide  
Guida rapida  
Kvikstartguide  
Snabbstartsguide

Full user manual can be found by searching for this model number at  
[www.denver-electronics.com](http://www.denver-electronics.com).



# Safety Information

---

*IMPORTANT SAFETY INSTRUCTIONS - READ CAREFULLY BEFORE USE.*

*Take note of the following safety information which appears on the back of the TV.*

---



CAUTION TO PREVENT ELECTRICAL SHOCK, DO NOT REMOVE ANY COVER SCREWS, NO USER SERVICEABLE PARTS INSIDE, REFER SERVICING TO QUALIFIED SERVICE PERSONNEL.

---



This symbol indicates that there are important operating maintenance instructions in the literature accompanying this unit.

---



This symbol indicates that dangerous voltage constituting a risk of electric shock is present within this unit.

---

## *Keep these instructions*

- Do not use this TV near water.
  - Clean only with a slightly damp cloth.
  - Do not block any ventilation openings.
  - Install in accordance with the supplied Quick Start Guide and this User Guide.
  - Protect the power chord from being walked on or pinched, particularly at plugs, and the point where it exits from the TV.
  - Do not allow the power chord to overhang the edge of a table.
  - Unplug this TV during lightening storms or when unused for long periods of time.
- 



**WARNING! TO REDUCE THE RISK OF FIRE OR ELECTRICAL SHOCK, DO NOT EXPOSE THIS TV TO RAIN OR MOISTURE. THE TV MUST NOT BE EXPOSED TO DRIPPING AND SPLASHING AND NO OBJECTS FILLED WITH LIQUIDS SHOULD BE PLACED ON THE TV.**

---

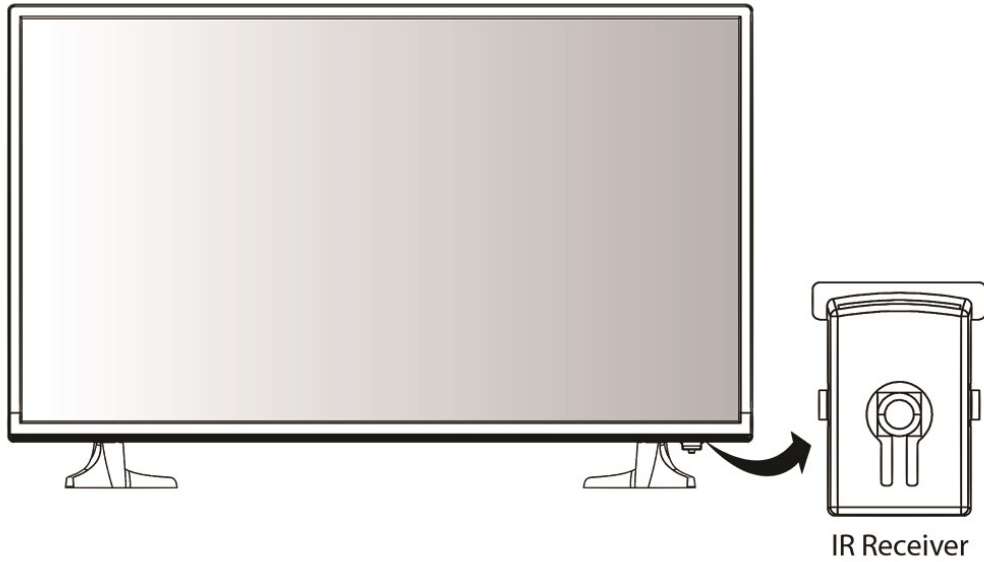
NOTE: No naked flames such as candles should be placed on the TV.

## **Smell/odor from TV**

New televisions may produce an unusual smell or odor when first turned on. Due to the manufacturing process of components, televisions and other electronic products can have parts that may produce a smell after the product is first turned on and warms up. The smell will usually dissipate within a few days of use and does not return. This is normal and occurs with many electronic products. Please ensure there is sufficient ventilation around the TV and in the room and the odor will dissipate.

---

## Front View



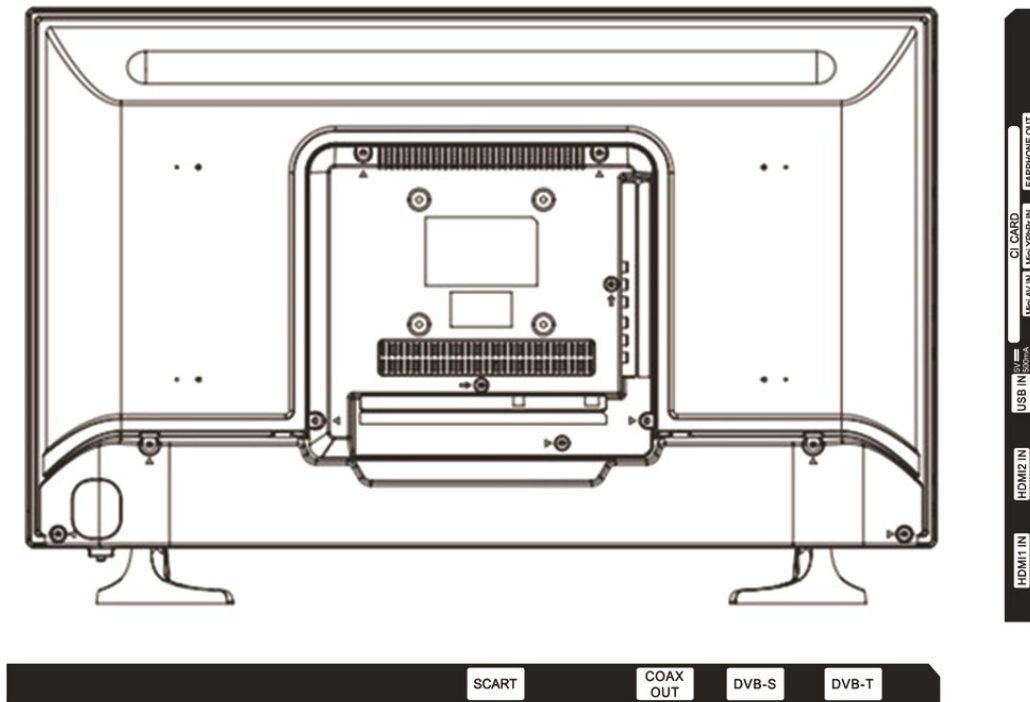
IR Receiver (keep clear of obstructions)

**The functions of the TV buttons are described below**

**⏻ (Power ON/Standby):** Switch the TV ON or to Standby.

# Connections

---



**SCART:** AV input from a device like VCR

**Coax:** Digital Audio Output from TV

**DVB-S:** Connect RF signal from satellite/DVB-S

**DVB-T:** Connect Analog/ATV signal or Digital/ DVB-T or DVB-C signal

**HDMI1/HDMI2:** Connect HDMI input signal from signal source such as DVD

**USB:** USB support multimedia playback and software upgrade

**CI Slot:** Insert CI card for Digital TV

**Mini AV:** Mini AV input from video playback device

**Mini YPbPr:** Mini component input from a video playback device

**Earphone:** Audio output from TV through Earphone

## Installation of TV channels

This TV comes with triple tuner.

For digital terrestrial TV: (DVB-T2 – H.265 HEVC)

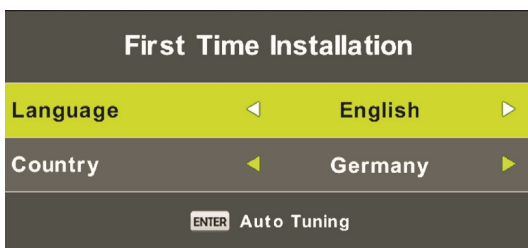
For digital cable TV: (DVB-C)

For digital satellite TV: (DVB-S2)

+ it has an analogue tuner aswell.

When you start the TV for the first time, you will enter a first time installation mode, Here you shall choose language& what country you are in. You do this by pushing the arrow left/right keys.

When you are finished making these settings, push OK button to get to autotuning menu.



Choose Tune type. (either DTV, ATV (analogue, or both)

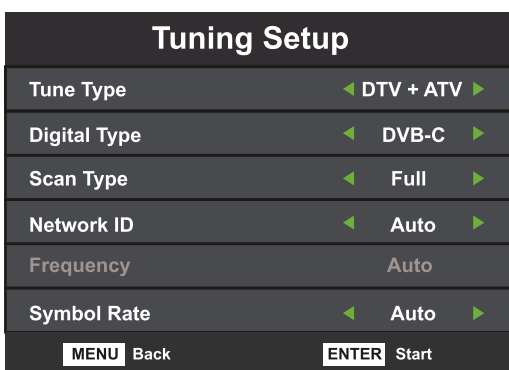
Then choose digital type: DVB-T for terrestrial (if you have own antenna on the roof), DVB-C if you have digital cable TV (please notice, you need to know the DVB-C info from your cable provider) or DVB-S if you have a satellite dish.

**If using DVB-T**, you can just make an autoscans, and it will scan in all available channel.

**If using DVB-C**, you can use either full scan or Network scan (some countries demand this). And insert Network ID, Frequency, Symbol rate and LCN on/off.

**If using DVB-S**, you have to know what satellite your dish are pointing towards, and choose this in the setup menu.

Example:

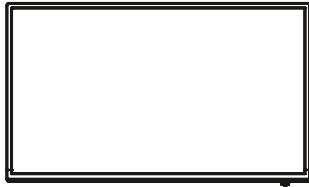


Please notice. The TV has a common interface+ input. This allows you to insert CA module + smartcard from your TV/cable provider to watch pay per view channels and selectable channels outside of your package. Pay attention on the description shown on the back of the TV on how to insert CA module. You can download full manual on our website: [www.denver-electronics.com](http://www.denver-electronics.com) - enter search field and write your TV model number there.

# Fixing the stand

Note: the pictures below are only for reference

## 1. The parts needed for installing the stand (supplied)



TV set



Stand



Screws(supplied)  
4 x BA4 x 15

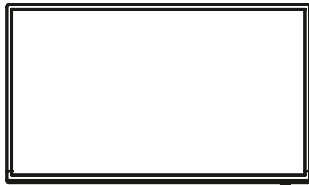


Before installing the stand, please check that you have all of the parts and that there is no visible damage. If a part is missing or appears damaged, please contact customer service.

## 2. How to install the Stand?

Place the TV face down on a soft and flat surface (blanket, foam, cloth, etc.) to prevent any damage to the TV.

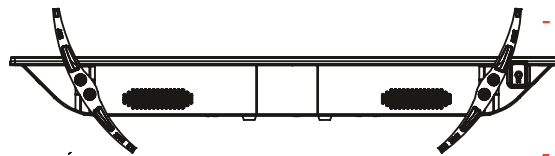
Put the stand to the neck of the TV set as shown below.



1. Before you put on the stand, please make sure the direction is correct as shown below.

2. When you are putting on the stand, please make sure the neck of the TV set is in the correct position and attached tightly.

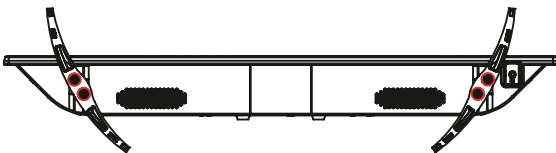
If you do not attach the stand correctly, it will make the TV unstable and may tip over.



----- Front

----- Back

Attach the stand with the supplied screws.

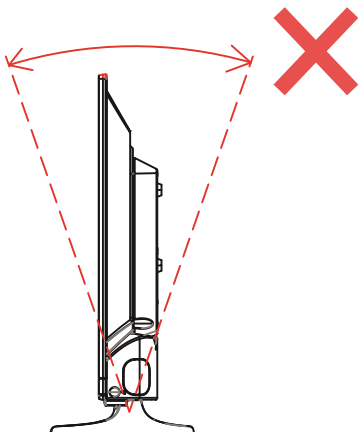


When attaching the stand, make sure the screws are attached tightly.

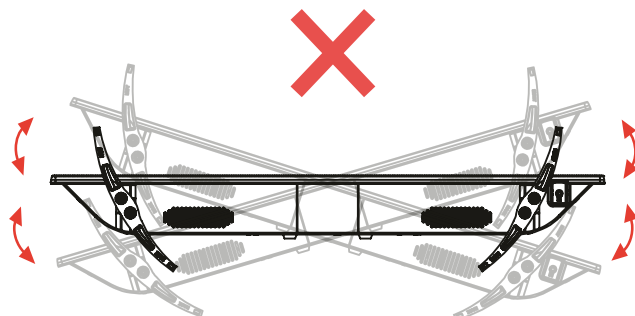
If the screws do not attach tightly, it will lead the TV to be unstable or may even tip over.

## 3. Warnings.

a. It can not be tilted to the front or back as shown below. Doing so may damage the stand.



b. It can not be tilted to the left or right as shown below. Doing so may damage the stand.



Please notice - All products are subject to change without any notice. We take reservations for errors and omissions in the manual.

# DENVER®

[www.denver-electronics.com](http://www.denver-electronics.com)



Electric and electronic equipment and included batteries contains materials, components and substances that can be hazardous to your health and the environment, if the waste material (discarded electric and electronic equipment and batteries) is not handled correctly.

Electric and electronic equipment and batteries is marked with the crossed out trash can symbol, seen below. This symbol signifies that electric and electronic equipment and batteries should not be disposed of with other household waste, but should be disposed of separately.

As the end user it is important that you submit your used batteries to the appropriate and designated facility. In this manner you make sure that the batteries are recycled in accordance with legislature and will not harm the environment.

All cities have established collection points, where electric and electronic equipment and batteries can either be submitted free of charge at recycling stations and other collection sites, or be collected from the households. Additional information is available at the technical department of your city.

Please enter: [www.denver-electronics.com](http://www.denver-electronics.com) and then click the search ICON on topline of website.

Write model number: LED-3279.

Now enter product page, and red directive is found under downloads/other downloads.

Operating Frequency Range: VHF

(50MHz ~ 230 MHz), UHF (474MHz ~ 862 MHz)

Max Output Power: 45W

DENVER ELECTRONICS A/S

Omega 5A, Soeflen

DK-8382 Hinnerup

Denmark

[www.facebook.com/denverelectronics](https://www.facebook.com/denverelectronics)

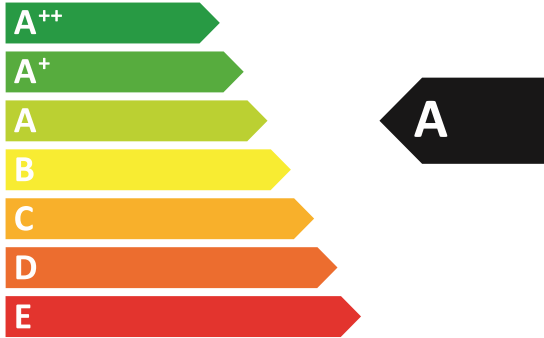




**ENERG** Y IJA  
енергия · ενεργεια IE IA

DENVER

LED-3279



ENERGIA · ЕНЕРГИЯ  
ENERGEIA · ENERGIJA  
ENERGY · ENERGIE  
ENERGI



**42.2**  
Watt

**61.6**  
kWh/annum

**81**  
cm



**32**  
inch

2010/1062 - 2020

**CE**