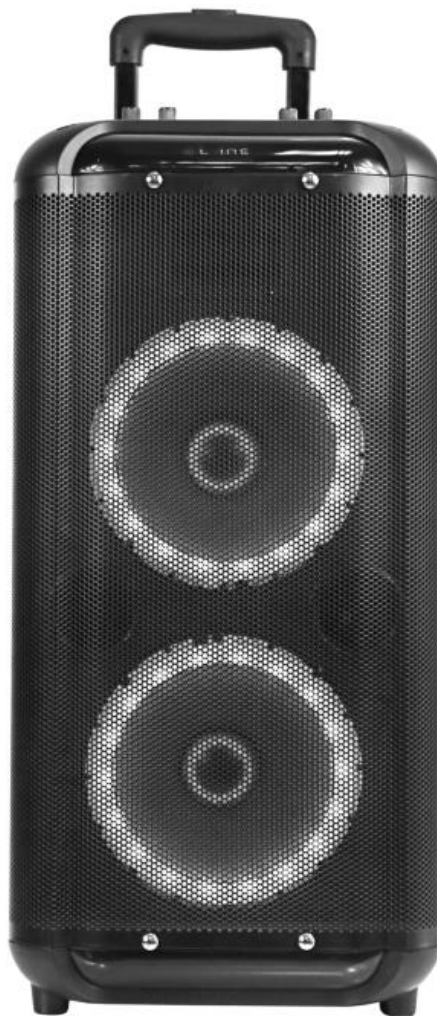


DENVER[®]

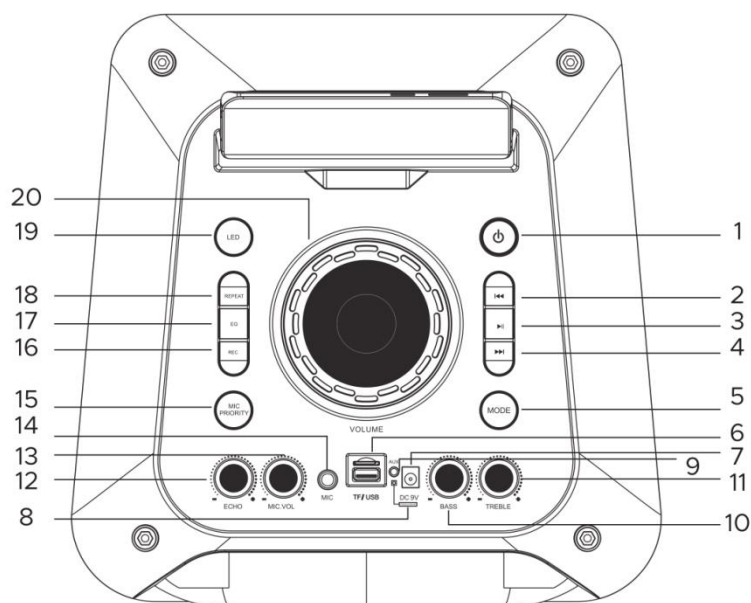
Instruction manual

BLUETOOTH SPEAKER TSP-450



www.facebook.com/denverelectronics

FUNCTIONS



1. POWER

Turn speaker on/off.

2. PREVIOUS TRACK/VOL-

Press to select the previous track for playback. Press and hold for 3 seconds to reduce the volume.

3. PLAY/PAUSE

Press to toggle between pause and playback.

4. NEXT TRACK/VOL+

Press to select the next track for playback. Press and hold for 3 seconds to increase the volume.

5. MP3/AUX/BT-MODE

Press to toggle between MP3 player, Aux in and Bluetooth.

6. USB/microSD PORT

Connect your USB/microSD card to playback music in MP3 format.

7. DC 9V input

Charge with the specified adapter 9V, 1.5A, otherwise the speaker may be damaged.

8. Charging indicator

When the battery is low, the charging indicator lights up red. When the battery is fully charged, the charging indicator lights up blue.

9. AUX IN

3.5mm input jack for connecting line level devices (e.g. CD/MP3/DVD player, hi-fi system, PC).

10. BASS

Adjust the overall bass level.

11. TREBLE

Adjust the overall treble level.

12. ECHO CONTROL

Adjust the intensity of the echo effect.

13. MIC VOLUME

Adjust the microphone volume.

14. MIC IN

6.3mm 1/4" input jack for microphone.

15. MIC PRIORITY

Press to automatically reduce the music volume when using the microphone.

16. RECORD

Press to record via USB/microSD port.

17. **EQ:** Press to select EQ mode as Pop, Rock, Jazz, Classic, Normal for USB/microSD.

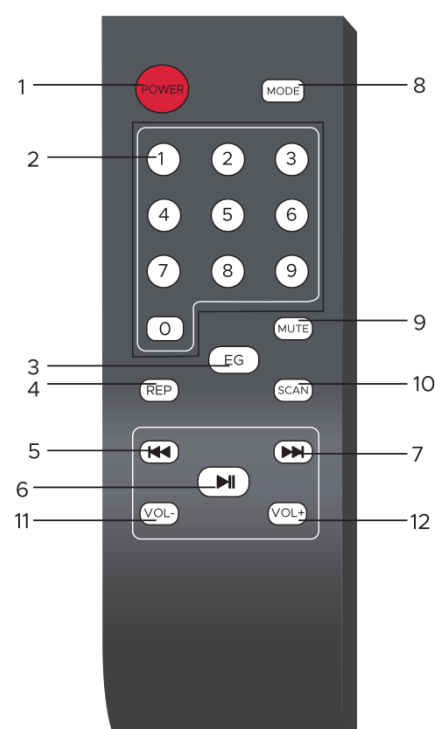
18. **REPEAT:** Press to repeat tracks.

19. **LED light switch:** Press to change the LED light mode (press once for the light to rotate in sequence, press twice for the light to flash and rotate, press three times for the light to flash with the beat; all modes will speed up with increasing volume).

20. **Volume:** Adjust the overall volume level.

REMOTE CONTROL KEYS AND FUNCTIONS

1. **POWER:** Turn speaker on/off.
2. **NUMERICAL KEYS:** Press to select tracks on USB/microSD.
3. **EQ:** Press to select EQ mode as Pop, Rock, Jazz, Classic, Normal for USB/microSD.
4. **Repeat:** Press to repeat single track or all tracks. Press once to repeat single track, press twice to repeat all tracks, press three times to exit repeat mode and return to normal playback.



5. ⏮ Press to select the previous track for playback in USB/microSD/BT mode. In FM mode press to select previous channel.
6. ⏸ The key to stop/play in USB/TF/BT. Long time (2-3seconds) to press this, search the FM channel, after finding the CH, it will save by automatically.
7. ⏭ Press to select the next track for playback in USB/microSD/BT mode. In FM mode press to select next channel. Press this to choose the next channel.
8. MODE: Press once to cycle through connected devices (BLUETOOTH – USB – microSD – FM).
9. MUTE: Press to mute/unmute the sound.
10. SCAN: In radio mode, press to automatically search for channels.
11. VOL-: Press to reduce the volume.
12. VOL+: Press to increase the volume.

PACKAGING CONTENTS

- * 1x Main Units
- * 1x User Manual
- * 1x Remote Control
- * 1x Charging Adapter
- * 1x Wired Microphone

SPECIFICATION

- * Bluetooth Version: 5.0
- * Battery Capacity: 7.4 V 1800 mAh lithium Battery
- * Battery Type: Lithium Battery
- * Power Supply: DC 9 V/1.5 A input
- * Speaker Output Power: 15 W * 2
- * Impedance: 4 ohm
- * Frequency Response: 40 Hz-20 KHz
- * FM Frequency: 87.5 - 108.0 MHz

Please notice-All products are subject to change without any notice. We take reservations for errors and omissions in the manual.

ALL RIGHTS RESERVED, COPYRIGHT DENVER ELECTRONICS A/S

DENVER®

www.denver-electronics.com



Electric and electronic equipment contains materials, components and substances that can be hazardous to your health and the environment, if the waste material (discarded electric and electronic equipment) is not handled correctly.

Electric and electronic equipment is marked with the crossed out trash can symbol, seen above. This symbol signifies that electric and electronic equipment should not be disposed of with other household waste, but should be disposed of separately.

All cities have established collection points, where electric and electronic equipment can either be submitted free of charge at recycling stations and other collection sites, or be collected from the households. Additional information is available at the technical department of your city.

Hereby, Inter Sales A/S declares that the radio equipment type TSP-450 is in compliance with Directive 2014/53/EU. The full text of the EU declaration of conformity is available at the following internet address: www.denver-electronics.com and then click the search ICON on topline of website. Write model number: TSP-450. Now enter product page, and RED directive is found under downloads/other downloads

Operating Frequency Range: 2402 ~ 2480 MHz

Max Output Power: 45 dBm

DENVER ELECTRONICS A/S

Omega 5A, Soeften

DK-8382 Hinnerup

Denmark

www.facebook.com/denverelectronics