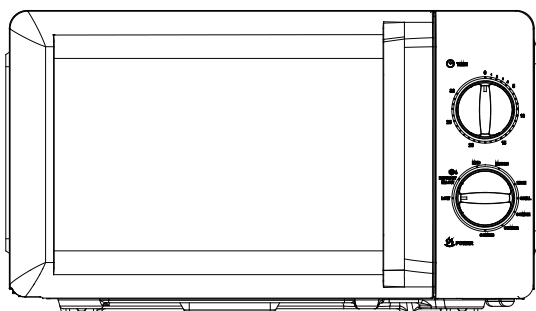


# DENVER<sup>®</sup>

## MICROWAVE OVEN INSTRUCTION MANUAL



# OG-2030

[www.denver-electronics.com](http://www.denver-electronics.com)

**IMPORTANT SAFETY INSTRUCTIONS  
READ CAREFULLY AND KEEP FOR FUTURE REFERENCE**

**English**

## IMPORTANT SAFEGUARDS

The following basic precautions should always be followed when using electrical appliance:

1. Read all instructions before using.
2. Make sure the voltage in your living area corresponding to the one shown on the rating label of the appliance. And the wall socket is properly grounded.
3. To reduce the risk of fire in the oven cavity:
  - a. Do not overcook the food.
  - b. Remove wire twist -ties from paper or plastic bags before placing bags in the oven.
  - c. Do not heat oil or fat for deep frying as the temperature of oil cannot be controlled.
  - d. After use wipe the waveguide cover with a damp cloth, followed by dry cloth to remove any food splashes and grease. Built -up grease may overheat and begin to cause smoke or catch fire.
  - e. If materials inside the oven should smoke or ignite, keep oven door closed, turn oven off and disconnect the power supply.
  - f. When heating food in plastic or paper containers, keep an eye on the oven due to the possibility of ignition.
4. To reduce the risk of explosion and sudden boiling:
  - a. **WARNING:** Liquids and other foods must not be heated in sealed container since they are liable to explode; Baby bottles fitted with a screw cap or teat are considered to be sealed containers.
  - b. Use the wide -mouthed container to cook liquid, and the cooked liquid should not be removed out immediately.

Several moments should be waited before removing. In order to avoid possible hazards caused by delayed eruptive boiling of liquids.

**c.** Potatoes, sausage and chestnut should be peeled or pierced before cooking. Eggs in their shell, whole hard-boiled eggs should not be heated in microwave ovens since they may explode, even after microwave heating has ended.

**d.** The contents of feeding bottles and baby food jars are to be stirred or shaken and the temperature is to be checked before consumption, in order to avoid burns.

**5.** If the supply cord is damaged, it must be replaced by the manufacturer or its service agent or a qualified technician in order to avoid a shock hazard.

**6.** After cooking, the container is very hot. Using gloves to take out the food and avoid steam burns by directing steam away from the face and hands.

**7.** Slowly lift the furthest edge of dishes cover and microwave plastic wrap and carefully open popcorn and oven cooking bags away from the face.

**8.** To prevent the turntable from breaking:

**a.** Let the turntable cool down before cleaning.

**b.** Do not place hot foods or utensils on the cold turntable.

**c.** Do not place frozen foods or utensils on the hot turntable.

**9.** Make sure the utensils do not touch the interior walls during cooking.

**10.** Only use utensils that are suitable for use in microwave ovens.

**11.** Do not store food or any other things inside the oven.

**12.** Do not operate the oven without any liquid or food inside the oven. This would do damage the oven.

**13.** When the appliance is operated in the combination mode, children should only use the oven under adult supervision due to the temperatures generated.

**14.** Any accessories not recommended by the manufacturer may cause injuries to persons.

**15.** Do not use outdoors.

**16.** Save these instructions.

**17. WARNING:** If the door or door seals are damaged or the oven is malfunctioned, the oven must not be operated until it has been repaired by a competent person;

**18. WARNING:** It is hazardous for anyone other than a competent person to carry out any service or repair operation that involves the removal of a cover which gives protection against exposure to microwave energy;

**19.** If smoke is emitted, switch off or unplug the appliance and keep the door closed in order to stifle any flames;

**20.** Microwave heating of beverages can result in delayed eruptive boiling; therefore care must be taken when handling the container;

**21.** Do not use harsh abrasive cleaners or sharp metal scrapers to clean the oven door glass since they can scratch the surface, which may result in shattering of the glass.

**22.** The lamp of microwave oven is not intended for other purposes.

**23.** The appliances are not intended to be operated by means of an external timer or separate remote -control system.

**24.** This appliance is intended to be used in household and similar applications, such as:

- Staff kitchen areas in shops, offices and other working environments;

- Farm houses;
- By clients in hotels, motels and other residential environments;
- Bed and breakfast type environments.

**25.** The microwave oven is intended for heating food and beverages. Drying of food or clothing and heating of warming pads, slippers, sponges, damp cloth and similar may lead to risk of injury, ignition or fire.

**26.** This appliance can be used by children aged from 8 years and above and persons with reduced physical, sensory or mental capabilities or lack of experience and knowledge if they have been given supervision or instruction concerning use of the appliance in a safe way and understand the hazards involved. Children shall not play with the appliance. Cleaning and user maintenance shall not be made by children unless they are older than 8 and supervised. Keep the appliance and its cord out of reach of children less than 8 years.

**27.** This appliance is not intended for use by persons (including children) with reduced physical, sensory or mental capabilities, or lack of experience and knowledge, unless they have been given supervision or instruction concerning use of the appliance by a person responsible for their safety.

**28.** Children should be supervised to ensure that they do not play with the appliance.

**29.** A steam cleaner is not to be used.

**30.** The door or the outer surface may get hot when the appliance is operating.

**31. WARNING:** Accessible parts may become hot during use. Young children should be kept away.

**32.** During use the appliance becomes hot. Care should be

taken to avoid touching heating elements inside the oven.

**33.** The surfaces are liable to get hot during use.



: **CAUTION:HOT SURFACE**

### **Household use only**

## **INSTALLATION**

- 1.** Take out all the packing. If there is a safe film over the oven, tear it off before Use. Check carefully for damage. If any, immediately notify dealer or send to the manufacturer's service center.
- 2.** Microwave ovens must be placed under dry and non-corrosiveness environments, kept away from heat and humidity, such as gas burner or water tank.
- 3.** To ensure sufficient ventilation, the distance of the back of microwave to the wall should be at least 10 cm, the side to the wall should be at least 5 cm, the free distance above the top surface at least 20 cm. the distance of the microwave to the ground should be at least 85 cm.
- 4.** The position of the oven shall be such that it is far from the TV, Radio or antenna as picture disturbance. Or noise may occur.
- 5.** The appliance must be positioned so that the plug is accessible, and must ensure a good grounding in case leakage, ground loop can be formed to avoid electric shock.
- 6.** The microwave oven must be operated with the door closed.
- 7.** The microwave oven must not be placed in a cabinet. The microwave oven is intended to be used freestanding.

8. As there is manufacturing residue or oil remained on the oven cavity or heat element, it usually would smell the odor, even a slight smoke, It is normal case and would not occur after several times use, keep the door or window open to ensure good ventilation. So it is strongly recommended to set the oven to grill mode and operate dry several times.

## **CLEANING**

### **MICROWAVE OVEN CARE**

#### **CAUTION**

The oven should be cleaned regularly and any food deposits removed.

#### **WARNING**

1. Remove the power cord from the wall outlet before cleaning. Don't immerse the appliance in water or other fluids when cleaning.
2. Failure to maintain the oven in a clean condition could lead to deterioration of the surface that could adversely affect the life of the appliance and possibly result in a hazardous situation
3. Never use hard detergent, gasoline, abrasive powder or metal brush to clean any part of the appliance
4. Do not remove the waveguide cover
5. When the microwave oven has been used for a long time, there may be some strange odors exist in oven, Following 3 methods can get rid of them:
  - a. Place several lemon slices in a cup, then heat with high Micro Power for 2-3 min.
  - b. Place a cup of red tea in oven, then heat with high micro power.

c. Put some orange peel into oven, and then heat them with high Micro Power for 1 minute.

**6. WARNING:** Only allow children to use the oven without supervision when adequate instructions have been given so that the child is able to use the oven in a safe way and understands the hazards of improper use;

## **TIPS FOR CLEANING**

Details for cleaning door seals, cavity and adjacent parts:

### **Exterior:**

Wipe the enclosure with a dampened soft cloth

### **Door:**

Using a dampened soft cloth, wipe clean the door and window

Wipe the door seals and adjacent parts to remove any spill or spatter

Wipe the control panel with a slightly dampened soft cloth

### **Interior walls:**

Wipe clean the cavity with a dampened soft cloth

Wipe clean the waveguide cover to remove any food splashed

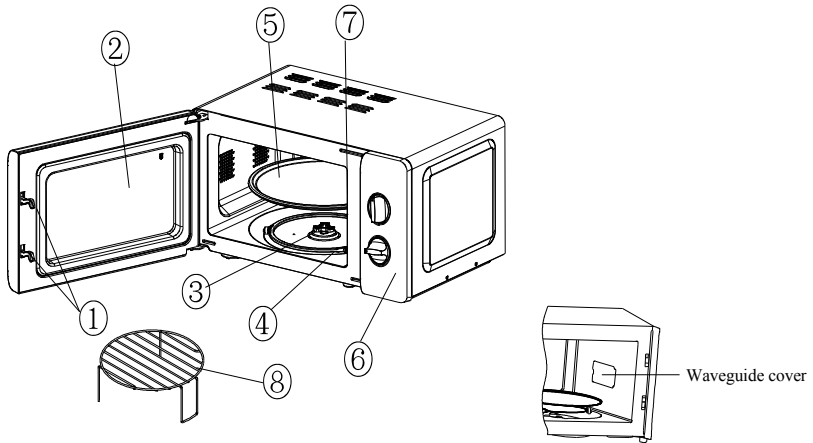
### **Turntable/ Rotation ring/ Rotation axis:**

Wash with mild soap water

Rinse with clean water and allow drying thoroughly



# PRODUCT INSTRUCTION



## 1) Door lock

Microwave oven door must be properly closed in order for it to operate

## 2) Viewing window

Allow user to see the cooking status

## 3) Rotating axis

The glass turntable sits on the axis; the motor underneath it drives the turntable to rotate

## 4) Rotating ring

The glass turntable sits on its wheels; it supports the turntable and helps it to balance when rotating

## 5) Turntable

The food sits on the turntable, its rotation during operation helps to cook food evenly

## ⚠ CAUTION

- Place the rotating ring first
- Fit the turntable onto the rotating axis and make sure that it is geared in properly

### **6) Control panel**

See below in details (the control panel is subject to change without prior notice)

### **7) Waveguide cover**

It is inside the microwave oven, next to the wall of control panel.



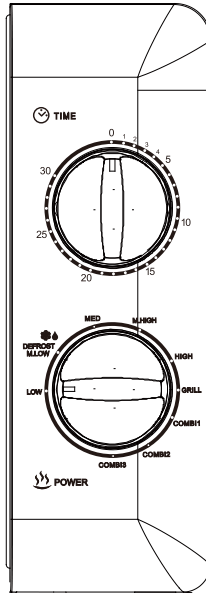
### **WARNING**

Never remove the waveguide cover

### **8) Grill rack**

Use to place the roasting food.

# OPERATION OF CONTROL PANEL



## 1) Timer

- The max cooking time length that can be set is 30 minutes.
- Each setting is 1 minute
- A bell ring will be heard when the timer times out and returns to Zero position.

## 2) Function / Power knob

There are 5 microwave power levels:

High	100% power output	(Quick cooking)
M.High	81% power output	(Normal cooking)
Med	58% power output	(Slow cooking)
Defrost	36% power output	(Defrost)
Low	18% power output	(Keep warm)

The following table provides a reference defrost time length for various foods:

	WEIGHT RANGE	DEFROST LENGTH
Meat	0.1~1.0kg	1:30~26:00
Poultry	0.2~1.0kg	2:30~22:00
Seafood	0.1~0.9kg	1:30~14:00

**Grill**-- only heat element is energized. Good brown color will be obtained, even the color makes you mouth water, but if the food is thickly, it may result in the surface of food have been burned, but the center of the food is unbaked. It is suitable for broiling sausage, chicken wings, chops, meat slice, sandwich and etc.

**Combination**-- magnetron and heat element work in an alternate way. According to the properties of food, utilizing the excellence of grill and microwave, to obtain the best result.

**Combi 1:** 30% operation time the magnetron is energized and 70% time heat element is energized. It is suitable for roasting chops, sandwich and etc.

**Combi 2:** 49% operation time the magnetron is energized and 51% time heat element is energized. It is suitable for broiling small chicken and meat.

**Combi 3:** 67% operation time the magnetron is energized and 33% time heat element is energized. It is suitable for broiling large chicken, duck and etc.

## OPERATION

- 1) Connect the cord
  - Before connecting the cord, make sure the timer is set to “0” position
  - Do not block the ventilation
- 2) Place the food on the glass turntable and close the door; food must be contained in a utensil.
- 3) Select the desired power level
- 4) Set the timer
  - If desired time is less than 10 minutes, turn the timer knob to over 10 minutes position and then turn back to the desired time setting
- 5) Once the desired time is set, the cooking begins. If pausing in between is needed, just open the door at any time, and close it to resume operation
- 6) When it times out and cooking ends, the microwave oven produces a bell ring, the inside lamp will also be automatically turned off
  - If food is removed before time out, make sure to set back the timer to “0” position, this avoids the microwave oven from operating in empty load
  - It is recommended to wear gloves when removing the cooked food from oven and be careful do not touch the heat element on the top of cavity.
  - In the mode of Combination/Grill, all of the oven parts, as well as the oven door and top of the oven, may become very hot, do not touch hot surface, use handles or knobs only.

## UTENSILS GUIDELINE

It is strongly recommended to use the containers which are suitable and safe for microwave cooking. Generally speaking, the containers which are made of heat-resistant ceramic, glass or plastic are suitable for microwave cooking. Never use the metal containers for microwave cooking and combination cooking as spark is likely to occur. You can take the reference of below table.

Material of container	Microwave	grill	Combi	Notes
Heat-resistant ceramic	Yes	Yes	Yes	Never use the ceramics which are decorated with metal rim or glazed
Heat-resistant plastic	Yes	No	No	Can not be used for long time microwave cooking
Heat-resistant glass	Yes	Yes	Yes	
Plastic film	Yes	No	No	It should not be used when cooking meat or chops as the over-temperature may do damage to the film
Grill rack	No	Yes	Yes	
Metal container	No	No	No	It should not be used in microwave oven. Microwave can not penetrate through metal.
lacquer	No	No	No	Poor heat-resistant. Can not be used for High-temperature cooking
Bamboo wood and paper	No	No	No	Poor heat-resistant. Can not be used for High-temperature cooking

## **COOKING TIPS**

The following factors may affect the cooking result:

### **Food arrangement**

Place thicker areas towards outside of dish, the thinner part towards the centre and spread it evenly. Do not overlap if possible.

### **Cooking time length**

Start cooking with a short time setting, evaluate it after it times out and extend it according to the actual need. Over cooking may result in smoke and burns.

### **Cooking food evenly**

Food such as chicken, hamburger or steak should be turned once during cooking.

Depending on the type of food, if applicable, stir it from outside to centre of dish once or twice during cooking

### **Allow standing time**

After cooking times out, leave the food in the oven for an adequate length of time, this allows it to complete its cooking cycle and cooling it down in a gradual manner

### **Whether the food is done**

Color and hardness of food help to determine if it is done, these include:

- Steam coming out from all parts of food, not just the edge
- Joints of poultry can be moved easily
- Pork or poultry shows no signs of blood
- Fish is opaque and can be sliced easily with a fork

### **Browning dish**

When using a browning dish or self-heating container, always place a heat-resistant insulator such as a porcelain plate under it to prevent damage to the turntable and rotating ring.

### **Microwave safe plastic wrap**

When cooking food with high fat content, do not allow the plastic wrap come into contact with food as it may melt

## **Microwave safe plastic cookware**

Some microwave safe plastic cookware might not be suitable for cooking foods with high fat and sugar content. Also, the preheating time specified in the dish instruction manual must not be exceeded

## **MAINTENANCE**

### **SERVICING**

Please check the following before calling for services.

1. Place one cup of water (approx.150ml) in a glass measure in the oven and close the door securely. Oven lamp should go off if the door is closed properly. Let the oven work for 1 min.
2. Does the oven lamp light?
3. Does the cooling fan work?  
(Put your hand over the rear ventilation openings.)
4. Does the turntable rotate?  
(The turntable can rotate clockwise or counter clockwise. This is quite normal.)
5. Is the water inside the oven hot?

If “NO” is the answer to any of the above questions, please check your wall socket and the fuse in your meter box.

If both the wall socket and the fuse are functioning properly, CONTACT YOUR NEAREST SERVICE CENTER APPROVED.

### **SERVICING SAFEGUARDS**

#### **Caution: MICROWAVE RADIATION**

1. The high voltage capacitor remains charge after disconnection; short the negative terminal of H. V capacitor to the oven chassis (use a screwdriver) to discharge before touching.



2. During servicing below listed parts are liable to be removed and give access to potentials above 250V to earth.

- Magnetron
- High voltage transformer
- High voltage capacitor
- High voltage diode
- High voltage fuse

3. The following conditions may cause undue microwave exposure during servicing.

Improper fitting of magnetron;

Improper matching of door interlock, door hinge and door;

Improper fitting of switch support;

Door, door seal or enclosure has been damaged.

ALL RIGHTS RESERVED, COPYRIGHT DENVER ELECTRONICS A/S

# DENVER®

[www.denver-electronics.com](http://www.denver-electronics.com)



Electric and electronic equipment contains materials, components and substances that can be hazardous to your health and the environment, if the waste material (discarded electric and electronic equipment) is not handled correctly.

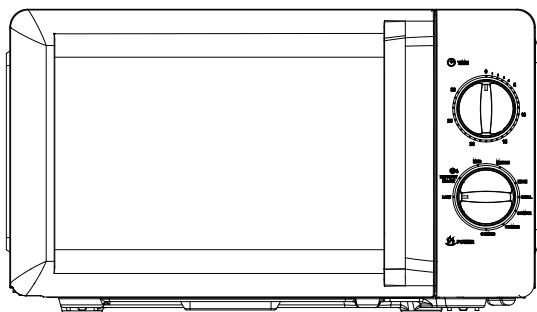
Electric and electronic equipment is marked with the crossed out trash can symbol, seen below. This symbol signifies that electric and electronic equipment should not be disposed of with other household waste, but should be disposed of separately.

All cities have established collection points, where electric and electronic equipment can either be submitted free of charge at recycling stations and other collection sites, or be collected from the households. Additional information is available at the technical department of your city.

Imported by:  
DENVER ELECTRONICS A/S  
Omega 5A, Soeften  
DK-8382 Hinnerup  
Denmark  
[facebook.com/denverelectronics](https://facebook.com/denverelectronics)

# DENVER®

## HORNO MICROONDAS MANUAL DE INSTRUCCIONES



# OG-2030

[www.denver-electronics.com](http://www.denver-electronics.com)

**INSTRUCCIONES IMPORTANTES DE SEGURIDAD  
LÉALO DETENIDAMENTE Y GUÁRDELO COMO  
REFERENCIA FUTURA**

**Español**

## MEDIDAS DE SEGURIDAD IMPORTANTES

Se deben seguir siempre las siguientes precauciones básicas cuando se usa un aparato eléctrico:

1. Lea todas las instrucciones antes de usarlo.
2. Asegúrese de que la tensión de la zona donde vive se corresponde con la que se muestra en la etiqueta de calificación del aparato. Y que la toma de pared esté debidamente conectada a tierra.
3. Para reducir el riesgo de incendio en la cavidad del horno:
  - a. No sobrecaliente los alimentos.
  - b. Retire los lazos de torcedura del papel o bolsas de plástico antes de coloque bolsas en el horno.
  - c. No caliente aceite o grasa para una fritura ya que no se puede controlar la temperatura del aceite.
  - d. Tras su uso, limpie la cubierta de la guía de ondas con un paño húmedo, seguido de un paño seco para eliminar cualquier salpicadura de alimentos o grasa. La grasa acumulada puede sobrecalentarse y empezar a causar humo o provocar un incendio.
  - e. Si los materiales dentro del horno expulsan humo o se enciendan, mantenga cerrada la puerta del horno, apáguelo y desconecte la alimentación.
  - f. Cuando caliente alimentos en recipientes de plástico o papel, esté atento al horno ya que existe la posibilidad de ignición.
4. Para reducir el riesgo de explosión y hervido súbito:
  - a. **ADVERTENCIA:** No se deben calentar líquidos u otros alimentos en un recipiente sellado ya que es probable que exploten; los biberones equipados con un tapón de rosca o tetina se consideran recipientes sellados.

- b.** Use el recipiente de boca ancha para cocinar líquidos, y el líquido cocinado no debe retirarse inmediatamente. Se deben esperar varios momentos antes de retirarlo. Para evitar posibles riesgos causados por el hervido de líquidos eruptivo retardado.
- c.** Las patatas, salchichas y castañas deben pelarse o perforarse antes de su cocinado. No se deben calentar en el microondas los huevos con cáscara y los huevos cocidos enteros ya que pueden explotar, incluso después de que haya finalizado el calentamiento con el microondas.
- d.** Los contenidos de los biberones y los tarros de alimentos infantiles deben mezclarse o agitarse y se debe comprobar la temperatura antes de consumirlos para evitar quemaduras.
- 5.** Si el cable de alimentación está dañado, el fabricante, o su agente de servicio o un técnico cualificado deben sustituirlo para evitar un riesgo de descarga eléctrica.
- 6.** Tras el cocinado, el recipiente está muy caliente. Use guantes para extraer los alimentos y evitar quemaduras por vapor alejando el vapor del rostro y las manos.
- 7.** Levante lentamente el borde más alejado de la cubierta del plato y el envoltorio de plástico de microondas y abra con cuidado las palomitas de maíz o las bolsas de cocinado para microondas alejadas del rostro.
- 8.** Para evitar que el plato se rompa:
  - a.** Deje que el plato se enfríe antes de limpiarlo.
  - b.** No coloque alimentos calientes o utensilios sobre el plato frío.
  - c.** No coloque alimentos congelados o utensilios sobre el plato caliente.

9. Asegúrese de que los utensilios no tocan las paredes interiores durante el cocinado.
10. Use únicamente utensilios que sean aptos para su uso en hornos microondas.
11. No guarde alimentos u otras cosas en el interior del horno.
12. No opere el horno sin ningún líquido o alimento en su interior. Esto dañará el horno.
13. Cuando se opera el aparato en el modo combi, los niños solo deben usar el aparato bajo la supervisión de un adulto debido a las temperaturas que se generan.
14. Cualquier accesorio no recomendado por el fabricante puede provocar lesiones en personas.
15. No lo use en el exterior.
16. Guarde estas instrucciones.
17. **ADVERTENCIA:** Si la puerta o los sellos de la puerta están dañado o el horno no funciona correctamente, no debe operarse el horno hasta que una persona competente lo haya reparado;
18. **ADVERTENCIA:** Es peligroso que cualquiera salvo una persona competente realice cualquier mantenimiento o reparación que implique la retirada de la carcasa que le ofrece protección frente a la exposición a la energía microondas;
19. Si se emite humo, apague o desenchufe el aparato y mantenga la puerta cerrada para sofocar cualquier llama;
20. El calentamiento al microondas de bebidas puede producir un hervido retardado eruptivo; por lo tanto, se debe tener cuidado cuando maneje el recipiente;
21. No use limpiadores abrasivos duros o rayadores metálicos afilados para limpiar el cristal de la puerta del

horno ya que pueden rayar la superficie, lo que puede provocar el resquebrajamiento del cristal.

- 22.** La bombilla del horno microondas no está diseñada para otra finalidad.
- 23.** El aparato no está diseñado para operarse por medio de un temporizador externo p un sistema de control remoto a distancia.
- 24.** Este aparato está diseñado para usarse en aplicaciones domésticas o similares.
- 25.** El horno microondas está diseñado para calentar alimentos y bebidas. El secado de alimentos o ropa y el calentamiento de mantas eléctricas, zapatillas, esponjas, paños húmedos y similares puede provocar el riesgo de lesiones, ignición o incendio.
- 26.** Este aparato pueden usarlo niños a partir de los 8 años de edad y personas con capacidades físicas, sensoriales o mentales reducidas o con falta de conocimientos o experiencia siempre que se les ofrezca supervisión o se les dé instrucciones respecto al uso de aparatos de manera segura y entiendan los riesgos que implica. Los niños no deben jugar con el aparato. La limpieza y el mantenimiento del usuario no deben hacerlo niños salvo que sean mayores de 8 años y estén supervisados. Mantenga el aparato y su cable fuera del alcance de los niños menores de 8 años.
- 27.** El aparato no está diseñado para su uso por parte de personas (incluyendo niños) con capacidades físicas, sensoriales o mentales reducidas, o falta de experiencia o conocimientos, salvo que se les haya ofrecido supervisión o formación respecto al uso del aparato por una persona responsable de su seguridad.
- 28.** Los niños deben ser supervisados para asegurarse de que no jueguen con el aparato.

29. No debe usarse un limpiador a vapor.
30. La puerta o la superficie exterior pueden calentarse cuando el aparato esté funcionando.
31. **ADVERTENCIA:** Las piezas accesibles pueden calentarse durante su uso. Se debe mantener alejados a los niños pequeños.
32. Durante su uso, el aparato se calienta. Se debe tener cuidado para evitar tocar los elementos térmicos dentro del horno.
33. Es probable que la superficie se caliente durante su uso.



**: PRECAUCIÓN: SUPERFICIE CALIENTE**

**Únicamente uso doméstico**

## **INSTALACIÓN**

1. Retire todo el envase. Si hay una película de seguridad sobre el horno, retírela antes de usarlo. Compruebe detenidamente en busca de daños. Si hubiera cualquier daño, notifíquelo inmediatamente al distribuidor o envíelo al centro de servicio del fabricante.
2. Los hornos microondas deben colocarse en entornos secos y no corrosivos, alejados del calor y la humedad, como una cocina de gas o un depósito de agua.
3. Para asegurar una ventilación suficiente, la distancia de la parte posterior del microondas a la pared debe ser de al menos 10 cm, la distancia del lateral a la pared debe ser de al menos 5 cm, la distancia libre por encima de la superficie superior de al menos 20 cm. y la distancia del microondas al suelo debe ser de al menos 85 cm.



4. La posición del horno será tal que se encuentre alejado de la TV, radio o antena ya que puede distorsionar la imagen. O se puede producir ruido.
5. El aparato debe colocarse de forma que el enchufe sea accesible y debe asegurar una buena toma a tierra en caso de fugas; se puede formar un bucle a tierra para evitar descargas eléctricas.
6. El horno microondas debe operarse con la puerta cerrada.
7. El horno microondas no debe colocarse en un armario. El horno microondas está diseñado para usarse de forma independiente.
8. Como hay residuos de fabricación o aceite que permanece en la cavidad del horno o elemento térmico, normalmente olerá mal, e incluso a humo ligeramente; es normal y no se volverá a producir tras usarlo varias veces; mantenga la puerta o ventana abierta para asegurar una buena ventilación. Así que se recomienda encarecidamente que fije el horno en modo grill y lo opere en seco varias veces.

## LIMPIEZA

### CUIDADO DEL HORNO MICROONDAS



#### PRECAUCIÓN

El horno debe limpiarse de forma regular y retirar cualquier depósito de alimentos.



#### ADVERTENCIA

1. Retire el cable de alimentación de la toma de pared antes de limpiarlo. No sumerja el aparato en agua u otros líquidos cuando lo limpie.

2. En caso de no mantener el horno en condiciones de limpieza se puede provocar el deterioro de la superficie que puede afectar negativamente a la vida útil del aparato y probablemente provocar una situación peligrosa.
3. Nunca use un detergente duro, gasolina, polvo abrasivo o un cepillo metálico para limpiar cualquier pieza del aparato.
4. No retire la cubierta de la guía microondas.
5. Cuando el horno microondas se haya utilizado durante un periodo prolongado de tiempo, puede que el horno presente algunos malos olores; siga 3 métodos para librarse de ellos:
  - a. Coloque varias rodajas de limón en una taza y después caliéntelo con la potencia alta del microondas durante 2-3 minutos.
  - b. Coloque una taza de té rojo en el horno, y después caliéntelo con la potencia alta del microondas.
  - c. Coloque piel de naranja en el horno y después caliéntelo con la potencia alta del microondas durante 1 minuto.
6. **ADVERTENCIA:** Solo permita que los niños usen el microondas sin supervisión cuando se les haya dado instrucciones adecuadas de forma que el niño pueda usar el horno de forma segura y comprendan los riesgos de un uso inapropiado;

## CONSEJOS PARA LA LIMPIEZA

Detalles para la limpieza de sellos de puertas, cavidad y piezas adyacentes:

### Exterior:

Limpie la carcasa con un paño suave humedecido

**Puerta:**

Usando un paño suave humedecido limpie la puerta y la ventana

Limpie los sellos de las puertas y piezas adyacentes para eliminar cualquier salpicadura o derrame

Limpie el panel de control con un paño ligeramente humedecido

**Paredes interiores:**

Limpie la cavidad con un paño suave humedecido

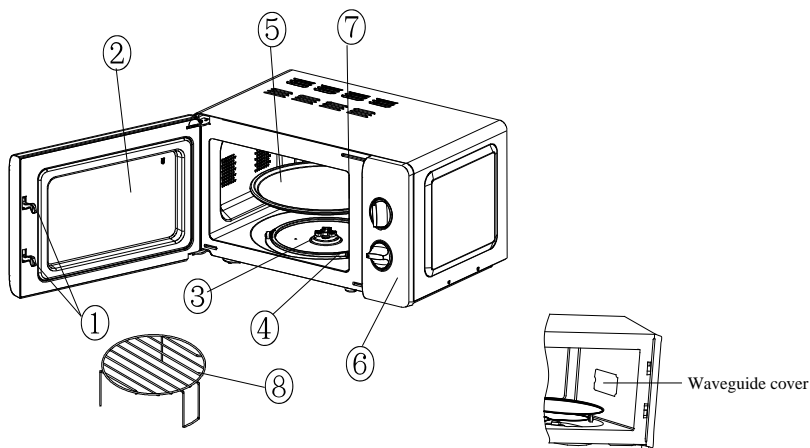
Limpie la cubierta del guía de ondas para eliminar cualquier alimento que haya salpicado

**Plato/Anillo de rotación /Eje de rotación:**

Lávelo con agua y jabón neutro

Aclárelo con agua limpia y deje que se seque bien

## INSTRUCCIONES DEL PRODUCTO



Cubierta del guía de ondas

### 1) Cierre de la puerta

Se debe cerrar debidamente la puerta del horno microondas para que funcione

### 2) Ventana de visionado

Permite que el usuario vea el estado de cocinado

### 3) Eje de rotación

El plato de cristal se asienta sobre el eje; el motor debajo del mismo propulsa el plato para que rote

### 4) Anillo de rotación

El plato de cristal se asienta sobre las ruedas; soporta el plato y ayuda a que mantenga el equilibrio durante la rotación

### 5) Plato giratorio

Los alimentos se asientan sobre el plato; su rotación durante el funcionamiento ayuda a cocinar los alimentos de forma uniforme



### PRECAUCIÓN

- Coloque primero el anillo de rotación

- Ajuste el plato en el eje de rotación y asegúrese de que encaje debidamente.

#### **6) Panel de control**

Véase los detalles que aparecen debajo (el panel de control está sujeto a cambios sin previo aviso)

#### **7) Cubierta del guía de ondas**

Está dentro del horno microondas, al lado de la pared del panel de control.



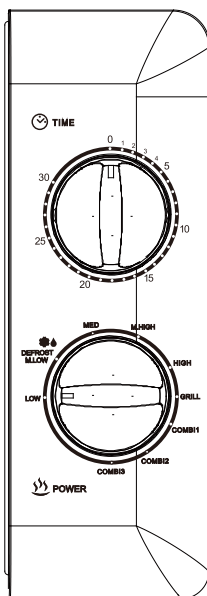
#### **ADVERTENCIA**

Nunca retire la cubierta del guía de ondas

#### **8) Estantería del grill**

Úselo para colocar los alimentos a tostar.

# FUNCIONAMIENTO DEL PAEL DE CONTROL



## 1) Temporizador

- La duración máxima del tiempo de cocinado que puede fijarse es de 30 minutos.
- Cada ajuste es de 1 minuto
- Sonará un timbre cuando finalice el tiempo en el temporizador y vuelva a la posición cero.

## 2) Dial de función / potencia

Existen 5 niveles de potencia del microondas:

Alto	Salida de potencia del 100%	(Cocinado rápido)
M. Alto	Salida de potencia del 81%	(Cocinado normal)
Med	Salida de potencia del 58%	(Cocinado lento)
Descongelación	Salida de potencia del 36%	(Descongelación)
Bajo	Salida de potencia del 18%	(Mantiene caliente)

La siguiente tabla ofrece una duración de tiempo de descongelación de referencia para varios alimentos:

	GAMA DE PESO	DURACIÓN DE LA DESCONGELACIÓN
Carne	0.1~1.0kg	1:30~26:00
Pollo	0.2~1.0kg	2:30~22:00
Marisco	0.1~0.9kg	1:30~14:00

**Grill--** solo se active el elemento térmico. Se conseguirá un buen color marrón; incluso el color hará que la boca se le haga agua, pero si los alimentos son gruesos puede provocar que la superficie de los mismos se queme pero el centro del alimento esté crudo. Es apto para asar salchichas, alitas de pollo, chuletas, medallones de carne, sándwiches, etc.

**Combinación--** el magnetrón y el elemento térmico funcionan de forma alternativa. Según las propiedades de los alimentos, utilice la excelencia del grill y del microondas, para obtener los mejores resultados.

**Combi 1:** El 30% del tiempo de funcionamiento el magnetrón se activa y el 70% del tiempo el elemento térmico se activa. Es apto para tostar chuletas, sándwiches, etc.

**Combi 2:** El 49% del tiempo de funcionamiento el magnetrón se activa y el 51% del tiempo el elemento térmico se activa. Es apto para asar pollos pequeños y carne.

**Combi 3:** El 67% del tiempo de funcionamiento el magnetrón se activa y el 33% del tiempo el elemento térmico se activa. Es apto para asar pollos grandes, pato, etc.

## **FUNCIONAMIENTO**

- 1) Conecte el cable
  - Antes de conectar el cable, asegúrese de que el temporizador está fijado en la posición “0”.
  - No bloquee la ventilación
- 2) Coloque los alimentos en el plato de cristal y cierre la puerta; los alimentos deben estar depositados en un envase.
- 3) Seleccione el nivel de potencia que desee.
- 4) Fijar el tiempo

Si el tiempo que desea es inferior a 10 minutos, gire el dial del temporizador a la posición más de 10 minutos y después vuelva a la configuración de tiempo que desee.
- 5) Una vez que se fija el tiempo, se inicia el cocinado. Si es necesaria una pausa entre media, simplemente abra la puerta en cualquier momento y ciérrela para reanudar el funcionamiento.
- 6) Cuando finaliza el tiempo y finaliza el cocinado, en el horno microondas suena un timbre; asimismo se apaga de forma automática la bombilla del interior.
  - Si se retiran los alimentos antes de que finalice el tiempo, asegúrese de volver a fijar el temporizador a la posición “0”; esto evita que el horno microondas funcione sin carga.
  - Se recomienda llevar guantes cuando retire los alimentos cocinados del horno y tenga cuidado en no tocar el elemento térmico situado en la parte superior de la cavidad.
  - En el modo Combi/Grill, todas las piezas del horno, así como la puerta del horno y la parte superior del mismo, pueden calentarse mucho; no toque la superficie caliente y use únicamente las asas o manijas únicamente.



## DIRECTRICES DE UTENSILIOS

Se recomienda encarecidamente que use envases que sean aptos y seguros para el cocinado a microondas. En general, los envases que están hechos de cerámica resistente al calor, cristal o plástico son adecuados para el cocinado a microondas. Nunca use recipientes de metal para el cocinado a microondas y cocinado combinado ya que es probable que se produzca chispas. Puede tomar como referencia la tabla que aparece debajo.

Material del envase	Microondas	grill	Combi	Notas
Cerámica resistente al calor	Sí	Sí	Sí	Nunca use recipientes de cerámica que estén decorados con un borde metálico o acristalado
Plástico resistente al calor	Sí	No	No	No se puede utilizar para la cocción microondas durante periodos prolongados de tiempo.
Cristal resistente al calor	Sí	Sí	Sí	
Película de plástico	Sí	No	No	No debe usarse cuando cocine carne o chuletas ya que la sobret temperatura puede causar daños en la película.
Estantería del grill	No	Sí	Sí	
Envase de metal	No	No	No	No debe usarse en un horno microondas. Las microondas no pueden penetrar a través del metal.
Barniz	No	No	No	Poco resistente al calor. No puede usarse para cocinados a alta temperatura
Madera de bambú y papel	No	No	No	Poco resistente al calor. No puede usarse para cocinados a alta temperatura

## CONSEJOS DE COCINADO

Los siguientes factores pueden afectar el resultado del cocinado:

### **Disposición de los alimentos**

Coloque las áreas más gruesas hacia el exterior del plato y las partes más finas hacia el centro y distribúyalo uniformemente. No lo solape si es posible.

### **Duración del tiempo de cocinado**

Empiece a cocinar con una configuración de tiempo corta; evalúela tras finalizar el tiempo y prolongúelo conforme a su necesidad real. Un sobrecocinado puede provocar humos y quemaduras.

### **Cocinar los alimentos de forma uniforme**

Los alimentos como el pollo, las hamburguesas o los filetes deben darse la vuelta una vez durante el cocinado.

Dependiendo del tipo de alimentos, si es aplicable, agítelo desde el exterior hacia el centro del plato una vez o dos veces durante el cocinado.

### **Deje tiempo de reposo**

Una vez que finaliza el tiempo de cocinado, deje el alimento en el horno durante un periodo de tiempo adecuado; esto le permite completar su ciclo de cocción y enfriarse de manera gradual.

### **Si el alimento está hecho**

El color y la dureza del alimento ayuda a determinar si el alimento está hecho; esto incluye:

- Vapor que sale de todas las partes del alimento, no solo del borde.
- Las articulaciones de la carne pueden moverse fácilmente.
- El cerdo o la carne de ave no muestran signos de sangre.
- El pescado es opaco y puede cortarse con facilidad con un tenedor.

### **Plato dorados**

Cuando se use un plato para dorar o un recipiente de autocalentamiento, coloque siempre un aislante resistente al calor como un plato de porcelana bajo el mismo para evitar daños al plato y al anillo de rotación.

### **Envoltorio de plástico seguro del microondas**

Cuando cocine alimentos con un alto contenido en grasa, no permita que el envoltorio de plástico entre en contacto con el alimento ya que puede fundirse.

### **Recipientes de cocina seguros para microondas**

Algunos recipientes de cocina seguros de plástico para microondas puede que no sean adecuados para cocinar alimentos con alto contenido en grasa y azúcar. Asimismo, el tiempo de precalentamiento especificado en las instrucciones del plato no debe excederse

TODOS LOS DERECHOS RESERVADOS, COPYRIGHT DENVER  
ELECTRONICS A/S

# DENVER®

[www.denver-electronics.com](http://www.denver-electronics.com)



Los equipos eléctricos y electrónicos contienen materiales, componentes y sustancias que pueden ser nocivas para su salud y el medioambiente, si no se maneja correctamente el material de desecho (equipo eléctrico y electrónico desechado).

Los equipos eléctricos y electrónicos aparecen marcados con un símbolo de cubo de basura tachado; véase arriba. Este símbolo significa que los equipos eléctricos y electrónicos no deben eliminarse con el resto de residuos domésticos, sino que deben eliminarse de forma separada.

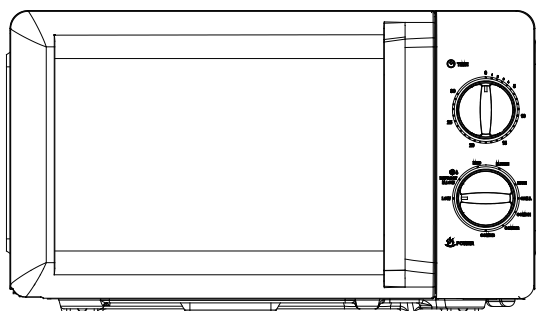
Todas las ciudades disponen de puntos de recogida establecidos, donde bien se puede enviar los equipos eléctricos y electrónicos de forma gratuita en las estaciones de reciclaje u otros puntos de reciclaje, o que se le recojan de sus domicilios. Puede obtener información adicional en el departamento técnico de su ciudad.

Importador:  
DENVER ELECTRONICS A/S  
Omega 5A, Soeften  
DK-8382 Hinnerup  
[www.facebook.com/denverelectronics](http://www.facebook.com/denverelectronics)

# DENVER®

## MIKROFALÓWKA

### Szybki przewodnik



## OG-2030

[www.denver-electronics.com](http://www.denver-electronics.com)

**WAŻNE ZALECENIA DOTYCZĄCE BEZPIECZEŃSTWA  
PROSZĘ UWAŻNIE PRZECZYTAĆ I ZACHOWAĆ NA  
PRZYSZŁOŚĆ**

**Polski**

## Tylko do użytku domowego

Aby zapewnić odpowiednią wentylację, odległość tyłu mikrofalówki od ściany powinna wynosić przynajmniej 10 cm; boki powinny być przynajmniej 5 cm od ściany; wolna przestrzeń nad powierzchnią urządzenia przynajmniej 20 cm; odległość mikrofalówki od podłogi przynajmniej 85 cm.

Urządzenie musi być umieszczone tak, by wtyczka była dostępna oraz należy zapewnić dobre uziemienie w przypadku przecieku; może uformować się pętla uziemienia, chroniąca przez porażeniem elektrycznym.

Mikrofalówka musi pracować przy zamkniętych drzwiczkach.

Mikrofalówka nie może być umieszczona we wnęce kredensu. Mikrofalówka powinna być wolno stojąca.

Podczas pierwszego użycia może wydobywać się zapach. Jest to całkowicie normalne i zniknie po kilku użyciach mikrofalówki.

## CZYSZCZENIE

### KONSERWACJA MIKROFALÓWKI

#### OSTROŻNIE

Mikrofalówka powinna być regularnie czyszczona, a wszelkie pozostałości żywności usunięte. Podczas pracy mikrofalówka nagrzewa się.

#### OSTRZEŻENIE

1. Przed czyszczeniem odłącz kabel zasilania od gniazda ściennego. Nie zanurzaj urządzenia w wodzie ani innych płynach podczas czyszczenia.

Wytrzyj wnętrze i obudowę mikrofalówki miękką zwilżoną szmatką.

Jeśli wewnątrz mikrofalówki czuć zapach, postaw szklankę z

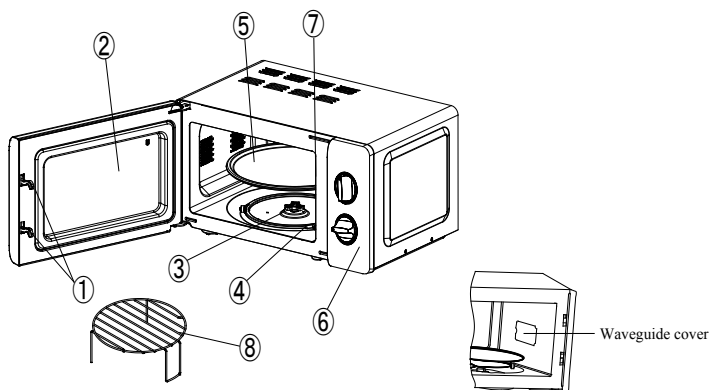
wodą i plasterkami cytryny i włącz na 1 minutę przy pełnej mocy (pamiętaj, że woda/szklanka nagrzeją się).

### Talerz obrotowy/pierścień obrotowy/oś obrotowa:

Myj lekko namydloną wodą

Płucz czystą wodą i pozwól na całkowite wyschnięcie

## INSTRUKCJA PRODUKTU



English	Polski
Waveguide cover	Uszczelka mikrofal

### 1) Blokada drzwiczek

Aby mikrofalówka działała, jej drzwiczki muszą być prawidłowo zamknięte

### 2) Okienko podglądu

Umożliwia użytkownikowi obserwowanie procesu gotowania

### 3) Oś obrotowa

Szklany talerz obrotowy znajduje się na osi; silnik pod spodem napędza obracanie talerza

### 4) Pierścień obrotowy

Szklany talerz obrotowy stoi na kółkach; podpira on talerz obrotowy i pomaga zachować równowagę podczas obracania

## 5) Talerz obrotowy

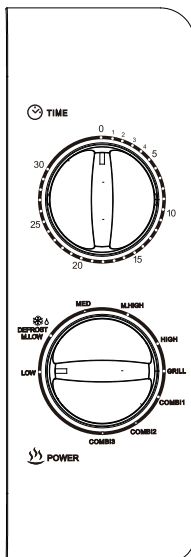
Żywność znajduje się na talerzu obrotowym

6) Panel sterowania — ustawia czas i moc mikrofalówki

7) Uszczelka mikrofal — NIGDY nie należy jej usuwać

8) Ruszt — do umieszczenia żywności do grillowania.

## OBSŁUGA PANELU STEROWANIA



### 1) Minutnik

- Maksymalny czas gotowania może być ustawiony na 30 minut.
- Każde ustawienie to 1 minuta
- Gdy minutnik osiągnie pozycję zero, rozlegnie się dźwięk dzwonka.

### 2) Pokrętko funkcji/włączania

Dostępnych jest 5 poziomów mocy:

Wysoki	100% wyjście mocy	(szybkie gotowanie)
Średniowysoki	81% wyjście mocy	(normalnie gotowanie)
Średni	58% wyjście mocy	(wolne gotowanie)



Rozmrażanie	36% wyjście mocy	(rozmrężanie)
Niski	18% wyjście mocy	(podgrzewanie)

**Ruszt** — włączany jest tylko element grzewczy. Jedzenie przyrumieni się, ale nawet jeśli będzie wyglądać apetycznie, w przypadku grubszych kawałków powierzchnia może się przypalić, a środek może ciągle być nieugotowany. Odpowiedni do podpiekania kielbas, skrzydełek kurczaka, plastrów mięsa, kanapek itp.

**Połączenie** — magnetron i element grzewczy pracują naprzemiennie. Zgodnie z właściwościami żywności wykorzystanie doskonałości rusztu i mikrofalówki pomoże w osiągnięciu najlepszych wyników.

**Kombinacja 1:** 30% czasu pracy magnetronu oraz 70% czasu pracy elementu grzewczego. Odpowiednie do pieczenia kotletów, kanapek itp.

**Kombinacja 2:** 49% czasu pracy magnetronu oraz 51% czasu pracy elementu grzewczego. Odpowiednie do podpiekania małego kurczaka i mięsa.

**Kombinacja 3:** 67% czasu pracy magnetronu oraz 33% czasu pracy elementu grzewczego. Odpowiednie do podpiekania dużego kurczaka, kaczki itp.

## DZIAŁANIE

- 1) Podłącz kabel
  - Przed podłączeniem kabla upewnij się, że minutnik jest ustawiony na „0”
  - Nie blokuj wentylacji
- 2) Umieść żywność na szklanym talerzu obrotowym i zamknij drzwiczki; żywność musi znajdować się w naczyniu

3) Wybierz żądany poziom mocy

4) Ustaw minutnik

Jeśli żądany czas jest krótszy niż 10 minut, przekręć pokrętło minutnika do pozycji ponad 10 minut, a następnie z powrotem na żądany czas

5) Gdy żądany czas zostanie ustawiony, rozpocznie się gotowanie. Jeśli konieczne jest wstrzymanie, otwórz w każdej chwili drzwiczki, po czym zamknij, by kontynuować

6) Gdy czas minie i gotowanie się zakończy, rozlegnie się dźwięk dzwonka, a lampka wewnątrz automatycznie zgaśnie

- Jeśli żywność zostanie wyjęta, zanim minie czas gotowania, upewnij się, że minutnik jest z powrotem ustawiony w pozycji „0”; uniknie to włączenia się mikrofalówki, gdy jest pusta
- Zalecamy, by podczas wyjmowania jedzenia z mikrofalówki mieć na rękach rękawice kuchenne.

Ostrzeżenie: Nigdy nie używaj metalowych przedmiotów w mikrofalówce.

Jeśli mikrofalówka nie działa prawidłowo, proszę skontaktować się z najbliższym punktem serwisowym lub sklepem, w którym została kupiona. Nigdy nie próbuj naprawiać jej samodzielnie.

# DENVER®

[www.denver-electronics.com](http://www.denver-electronics.com)



Urządzenia elektryczne i elektroniczne oraz baterie zawierają materiały, komponenty i substancje, które mogą być niebezpieczne dla zdrowia i środowiska, jeżeli zużyte materiały (urządzenia elektryczne i elektroniczne oraz baterie) nie są utylizowane prawidłowo.

Urządzenia elektryczne i elektroniczne oraz baterie są oznaczone symbolem przekreślonego pojemnika na śmieci (zob. poniżej). Ten symbol oznacza, że urządzenia elektryczne i elektroniczne oraz baterie nie powinny być utylizowane razem z odpadami komunalnymi.

Ważne jest, abyś jako użytkownik końcowy wyrzucał zużyte baterie w odpowiednich i przeznaczonych do tego miejscach. W ten sposób można zapewnić prawidłowy recykling zużytych baterii zgodnie z przepisami i bez zagrożenia środowiska.

We wszystkich miastach wyznaczono punkty zbiórki (np. recykling), w których można bezpłatnie oddać zużyte urządzenia elektryczne i elektroniczne oraz baterie, a nawet zapewniono możliwość ich odbioru w miejscu zamieszkania użytkowników. Dodatkowe informacje można

uzyskać w wydziale technicznym urzędu miasta.

Importer:

DENVER ELECTRONICS A/S

Omega 5A, Soeften

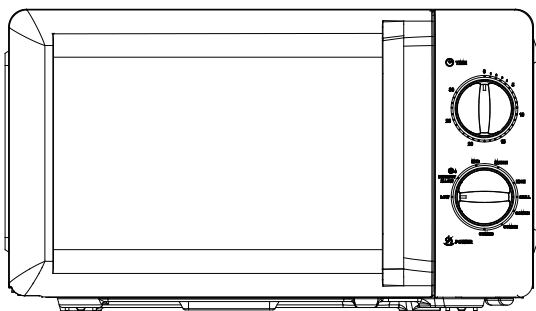
DK-8382 Hinnerup

[www.facebook.com/denverelectronics](http://www.facebook.com/denverelectronics)

# DENVER®

## MIKROVÅGSUGN

### Snabbstarts-guide



## OG-2030

[www.denver-electronics.com](http://www.denver-electronics.com)

**VIKTIGA SÄKERHETSANVISNINGAR  
LÄS NOGGRANT OCH SPARA DEM FÖR FRAMTIDA  
REFERENS**

**Swedish**

## Endast för bruk i hushåll

För att säkerställa tillräcklig ventilation, ska avståndet mellan mikrovågsugn och vägg vara minst 10 cm. Sidan mot väggen ska vara minst 5 cm, och det fria avståndet över toppytan ska vara minst 20 cm. Mikrovågsugnens avstånd till marken ska vara minst 85 cm.

Apparaten måste placeras så att kontakten är tillgänglig och att god jordning vid läckage. Jordslinga kan formas för att undvika elektriska stötar.

Mikrovågsugnen ska användas med luckan stängd.

Mikrovågsugnen får inte placeras i ett skåp. Mikrovågsugnen är endast avsedd att användas som fristående.

Vid första användningen kan den avge viss lukt. Detta är helt normalt, och kommer att försvinna efter bara några användningar av mikrovågsugnen.

## RENGÖRING

### SKÖTSEL AV MIKROVÅGSUGN



#### FÖRSIKTIGHET

Ugnen ska rengöras regelbundet och eventuella matrester ska avlägsnas. Ugnen blir varm när den används.



#### VARNING

1. Dra ut stickkontakten ur vägguttaget innan du rengör den. Sänk inte apparaten i vatten eller andra vätskor när du rengör den.

Torka rent insidan på ugnen med en fuktad mjuk trasa

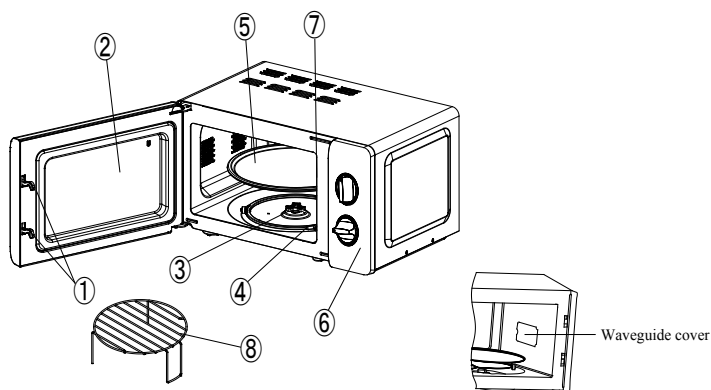
Om du känner av en lukt inuti ugnen, ska du placera en kopp vatten med citronskivor och köra den 1 minut vid full effekt (observera att vattnet/glaset blir varmt)

## Roterande tallrik/ Rotationsring/Rotationsaxel:

Tvätta med mild tvål/vatten

Skölj med rent vatten och torka noggrant

## PRODUKTANVISNING



English	Swedish
Waveguide cover	Vågledarskydd

### 1) Luckans lås

Luckan till mikrovågsugnen måste vara ordentligt stängd för att den ska kunna fungera

### 2) Visningsfönster

Tillåter användaren att se status på matlagningen

### 3) Roterande axel

Den roterande tallriken sitter på axeln; motorn nedanför får den roterande tallriken att rotera

### 4) Roterande ring

Den roterande tallriken sitter på hjulen; den stöder Den tallriken och hjälper till att balansera den vid rotering

### 5) Skivtallrik

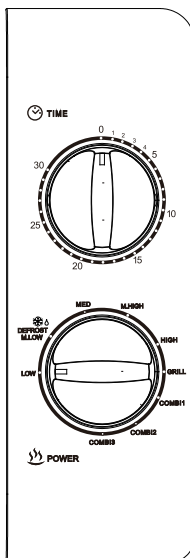
Maten är placerad på talliken

6) Kontrollpanel - justera tid och mikrovågseffekt

7) Vågledarskydd – Ta ADRIG bort det

8) Grillställ – använd för att placera mat som ska stekas.

## ANVÄNDNING AV KONTROLLPANEL



### 1) Timer

- Den maximala längden på matlagning som kan ställas in är 30 minuter.
- Varje inställning är 1 minut
- En klocka ringer varje gång timern löper ut och återgår till nollposition.

### 2) Funktion/strömknapp

Det finns 5 effektnivåer för mikrovågsugnen:

Hög	100% effektutgång	(Snabbkokning)
Max effekt	81% effektutgång	(Normal matlagning)
Medium	58% effektutgång	(Långsam matlagning)
Avfrostning	36% effektutgång	(Avfrostning)
Låg	18% effektutgång	(Hålla varm)



**Grill--** endast värmeelementet är aktiverat. En bra brun färg kommer att erhållas som får din mun att vattnas.,Men om maten är kraftig kan det innebära att ytan på maten har bränts, och att maten i mitten är inte bakad. Den är lämplig för grillad korv, kycklingvingar, kotletter, köttskivor, smörgås och etc.

**Kombination--** magnetron och värmeelement arbetar på ett alternativt sätt. Enligt egenskaperna hos mat, ska grillen och mikrovågen utnyttjas till dess fulla potential för att få det bästa resultatet.

**Kombi 1:** 30% av drifttiden ges magnetronen energi och 70% av tiden ges värmeelement är energi. Den är lämplig för stekning av kotletter, smörgås och etc.

**Kombi 2:** 49% av drifttiden ges magnetronen energi och 51% av tiden ges värmeelement är energi. Den är lämplig för stekning små kycklingar och kött.

**Kombi 3:** 67% av drifttiden ges magnetronen energi och 33% av tiden ges värmeelement är energi. Den är lämplig för stekning av stor kyckling, anka och etc.

## DRIFT

1) Anslut sladden

- Kontrollera att timern är inställd på läget "0", innan du ansluter sladden
- Blockera inte ventilationen

2) Placera maten på glastallriken och stäng luckan. Maten ska vara placerad på ett kokkärl.

3) Välj önskad effektnivå

4) Ställ in timern

Om önskad tid är mindre än 10 minuter, vrid timerknappen till över 10 minuter och vrid sedan tillbaka till önskad tidsinställning

- 5) När önskad tid är inställd, börjar tillagningen. Om mikrovågsugnen behöver pausas, kan du öppna luckan när som helst och stäng den därefter för att återuppta driften
- 6) När tiden gått ut och matlagningen är klar avger mikrovågsugnen en ringsignal och den inbyggda lampan slås också automatiskt av
  - Om maten tas ut före inställd tid, ska du se till att timern återställs till "0"-läge. Detta gör att mikrovågsugnen inte körs tom.
  - Det rekommenderas att du använder handskar när den färdiga maten ska tas ur ugnen.

Varning: Använd aldrig några metallföremål i mikrovågsugnen.

Om mikrovågsugnen inte fungerar som den ska, ska du kontakta närmaste servicecenter eller varuhus där du köpte den. Försök aldrig att reparera ugnen på egen hand.

# DENVER®

[www.denver-electronics.com](http://www.denver-electronics.com)



Elektrisk och elektronisk utrustning och tillhörande batterier innehåller material, komponenter och ämnen som kan vara skadliga för hälsan och miljön om avfallet (kasserad elektrisk och elektronisk utrustning och batterier) inte hanteras korrekt.

Elektrisk och elektronisk utrustning och batterier är märkta med en symbol i form av en överstruken soptunna (syns nedan). Denna symbol visar att elektrisk och elektronisk utrustning och batterier inte bör slängas tillsammans med annat hushållsavfall, utan ska istället slängas separat.

Som slutanvändare är det viktigt att du lämnar in dina använda batterier i en för ändamålet avsedd facilitet. På det viset säkerställer du att batterierna återvinns lagenligt och att de inte skadar miljön.

Alla kommuner har etablerat uppsamlingsställen där elektrisk och elektronisk utrustning och batterier antingen kan lämnas in kostnadsfritt i återvinningsstationer eller hämtas från hushållen. Vidare information finns att tillgå hos din kommuns tekniska förvaltning.

Importör:

DENVER ELECTRONICS A/S

Omega 5A, Soeften

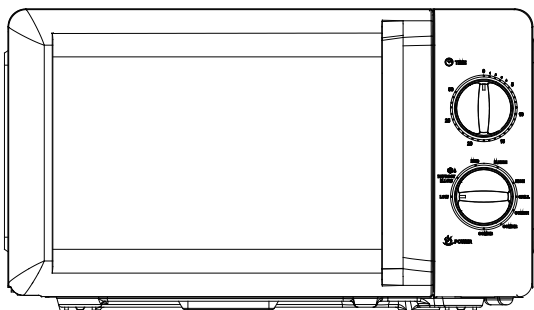
DK-8382 Hinnerup

[www.facebook.com/denverelectronics](http://www.facebook.com/denverelectronics)

# DENVER®

## MICRO-ONDAS

### Manual de início rápido



## OG-2030

[www.denver-electronics.com](http://www.denver-electronics.com)

**INSTRUÇÕES IMPORTANTES DE SEGURANÇA  
LER CUIDADOSAMENTE E GUARDAR PARA CONSULTA  
FUTURA**

**Português**

## **Apenas para uso doméstico.**

Para assegurar ventilação suficiente, a distância da parte de trás do micro-ondas até à parede deve ser no mínimo de 10 cm, da parte lateral até à parede deve ser no mínimo de 5 cm, a distância livre acima da parte superior deve ser no mínimo 20 cm, a distância do micro-ondas ao solo deve ser de pelo menos 85 cm.

O aparelho deve estar posicionado de modo que a ficha esteja acessível e deve dispôr de uma boa ligação a terra no caso de fuga pode ser formado um circuito de terra para evitar o choque elétrico.

O micro-ondas deve ser operado com a porta fechada.

O micro-ondas não deve ser colocado dentro de um armário. O micro-ondas é concebido para ser utilizado de forma independente.

A primeira vez que for utilizado pode produzir algum odor. Isto é perfeitamente normal e desaparecerá após algumas utilizações do micro-ondas.

## **LIMPEZA**

### **CUIDAR DO MICRO-ONDAS**



#### **CUIDADO**

O micro-ondas deve ser limpo regularmente e serem removidos alguns resíduos de alimentos que possam existir no mesmo. O micro-ondas ficará quente quando está a ser usado.



#### **AVISO**

1. Remover o cabo de alimentação da tomada de parede antes de efetuar a limpeza. Não submergir o aparelho em água ou outros líquidos quando estiver a fazer a limpeza.

Limpar o forno na parte de dentro e no exterior com um pano macio humedecido.

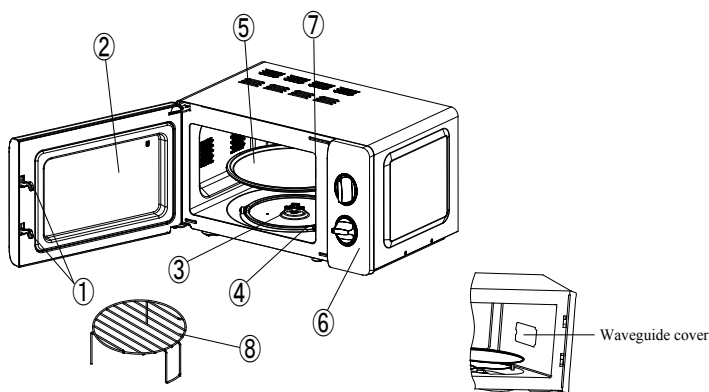
Se houver algum odor no interior do micro-ondas, deve colocar uma taça com água e rodela de limão e ligar o mesmo durante 1 minuto com a potência máxima (ter em atenção que a água/vidro irão ficar quentes)

### **Prato giratório/Anel de rotação/Eixo de rotação**

Lavar com água com detergente suave.

Lavar com água abundante e permitir que seque bem.

## **INSTRUÇÕES DO PRODUTO**



English	Português
Waveguide cover	Tampa da guia da onda

### **1) Fecho da porta**

A porta do micro-ondas deve estar adequadamente fechada de modo a poder funcionar

### **2) Janela de visualização**

Permite que o utilizador verifique o estado da cozedura

### **3) Eixo rotativo**

O prato giratório assenta no eixo, o motor por baixo do mesmo faz acionar o prato giratório

#### 4) Anel de rotação

O prato giratório em vidro assenta nos respetivos rodízios, suporta o prato giratório e ajuda a que o mesmo fique equilibrado quando está a rodar.

#### 5) Prato giratório

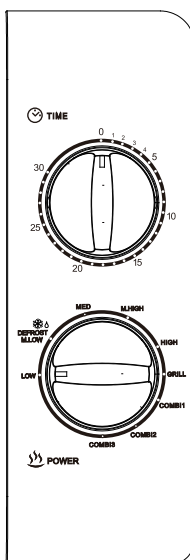
Os alimentos são colocados no prato giratório

6) Painel de controlo - ajustar a hora e a potência do micro-ondas

7) Tampa da guia da onda - NUNCA remover isto

8) Prateleira do grelhador - usar para assar os alimentos

### FUNCIONAMENTO DO PAINEL DE CONTROLO



#### 1) Temporizador

- A duração do tempo máximo de cozedura que pode ser definido é de 30 minutos.
- Cada definição é de 1 minuto
- Será produzido um som de campainha quando os tempos do temporizador são atingidos e volta à posição zero.

#### 2) Botão de funcionamento/Potência

O micro-ondas tem cinco níveis de potência



Alto	Saída de tensão 100%	(Cozedura rápida)
Médio-Alto	Saída de tensão 81%	(Cozedura normal)
Médio	Saída de tensão 58%	(Cozedura lenta)
Descongelar	Saída de tensão 36%	(Descongelar)
Baixo	Saída de tensão 18%	(Manter quente)

**Grelhador--** apenas é energizado o elemento de aquecimento. Será obtida uma cor de tostado excelente, de fazer crescer água na boca, mas se o alimento for grosso, pode acontecer que a superfície do alimento tenha ficado assada, mas o meio do mesmo estar cru. É adequado para grelhar salsichas, asas de frango, costeletas, pedaços de carne, sanduíche, etc.

**Combinação--** magnetrão e o elemento de aquecimento funcionam de forma alternada. Conforme as propriedades dos alimentos. utilizar a excelência do grelhador e do micro-ondas para obter os melhores resultados.

**Combi 1:** 30% do tempo de funcionamento é energizado o magnetrão e 70% do tempo é energizado o elemento de aquecimento. É adequado para assar costeletas, sanduíche, etc.

**Combi 2:** 49% do tempo de funcionamento é energizado o magnetrão e 51% do tempo é energizado o elemento de aquecimento. É adequado para grelhar frangos pequenos e carne.

**Combi 3:** 67% do tempo de funcionamento é energizado o magnetrão e 33% do tempo é energizado o elemento de aquecimento. É adequado para grelhar frangos grandes, pato, etc.

## FUNCIONAMENTO

- 1) Ligar o cabo
  - Antes de ligar o cabo, assegurar que o temporizador está colocado na posição “0”.
  - Não bloquear a ventilação.
- 2) Colocar os alimentos no prato giratório de vidro e fechar a porta; os alimentos devem estar dentro de um recipiente.
- 3) Selecionar o nível de potência pretendido.
- 4) Definir o temporizador

Se o tempo pretendido for inferior a 10 minutos, rodar o botão do temporizador para mais 10 minutos e depois voltar à definição do tempo pretendido.

- 5) Depois de ser definido o tempo pretendido, tem início a cozedura. Se for necessário interromper, basta abrir a porta em qualquer momento e fechar a mesma para retomar o funcionamento
- 6) Quando atinge o tempo limite e a cozedura termina, o micro-ondas produz um som de campainha, a lâmpada interior também será automaticamente desligada.
  - Se os alimentos forem retirados antes do tempo limite, assegurar que coloca de novo o temporizador na posição “0”, isto evita que o micro-ondas funcione quando está vazio.
  - É recomendado usar luvas quando remover os alimentos cozinhados do forno.

Aviso: Nunca usar nada em metal dentro do micro-ondas.

Se o micro-ondas não estiver a funcionar corretamente, deve contactar o centro de assistência mais próximo ou o estabelecimento onde o comprou. Nunca tentar reparar o micro-ondas de forma autónoma.

# DENVER®

[www.denver-electronics.com](http://www.denver-electronics.com)



Equipamentos elétricos e eletrônicos, bem como as pilhas que os acompanham, contêm materiais, componentes e substâncias que podem ser perigosos para a sua saúde e para o meio ambiente, caso os materiais usados (equipamentos elétricos e eletrônicos deitados fora, incluindo pilhas) não sejam eliminados corretamente.

Os equipamentos elétricos e eletrônicos, bem como as pilhas, vêm marcados com um símbolo composto de um caixote do lixo e um X, como mostrado abaixo. Este símbolo significa que os equipamentos elétricos e eletrônicos, bem como as pilhas, não devem ser eliminados em conjunto com o lixo doméstico, mas separadamente.

Como utilizador final, é importante que entregue as suas pilhas usadas numa unidade de reciclagem adequada. Assim, certamente as pilhas serão recicladas de acordo com a legislação e o meio ambiente não será prejudicado.

Todas as cidades possuem pontos de recolha específicos, onde os equipamentos elétricos e eletrônicos, bem como as pilhas, podem ser

enviados gratuitamente para estações de reciclagem e para outros locais de recolha ou recolhidos na sua própria casa. O departamento técnico da sua cidade disponibiliza informações adicionais quanto a isto.

Importador:

DENVER ELECTRONICS A/S

Omega 5A, Soeften

DK-8382 Hinnerup

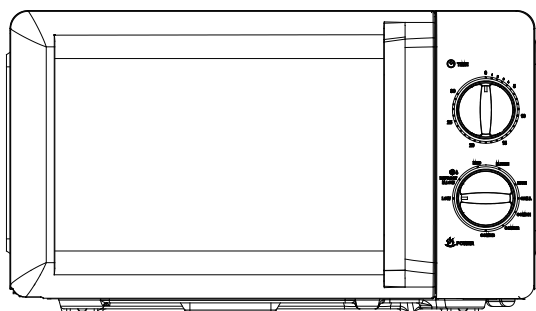
[www.facebook.com/denverelectronics](http://www.facebook.com/denverelectronics)



# DENVER®

## MIKROBØLGEOVN

### Guide for hurtigstart



# OG-2030

[www.denver-electronics.com](http://www.denver-electronics.com)

**VIKTIGE SIKKERHETSINSTRUKSER:  
LES NØYE OG OPPBEVAR FOR SENERE BRUK**

**Norsk**

## Kun for husholdningsbruk

For å sikre tilstrekkelig ventilasjon skal avstanden fra mikrobølgeovnen til veggen være minst 10 cm, avstand fra siden til veggen skal være minst 5 cm, fri avstand over toppflaten, minst 20 cm. Avstanden fra mikrobølgeovnen til bakken skal være minst 85 cm.

Apparatet må plasseres slik at støpselet er tilgjengelig, og må sikre god jordforbindelse dersom lekkasje, jordsløyfe kan dannes for å unngå elektrisk støt.

Mikrobølgeovnen må betjenes med døren lukket.

Mikrobølgeovnen må ikke plasseres i et skap. Mikrobølgeovnen er ment å brukes frittstående.

Første gangs bruk kan gi litt lukt. Dette er helt normalt, og vil gå bort etter bare noen få gangers bruk.

## RENGJØRING

### VEDLIKEHOLD AV MIKROBØLGEOVNEN



#### ADVARSEL

Ovnen skal rengjøres regelmessig og eventuelle matinntak fjernes. Ovnen blir varm når den brukes.



#### ADVARSEL

1. Fjern strømledningen fra stikkontakten før du rengjør. Ikke senk apparatet i vann eller andre væsker ved rengjøring.

Tørk ovnen innvendig og utvendig med en fuktet myk klut

Hvis det er en lukt inne i ovnen, må du sette inn en kopp vann med sitronskiver og gi den 1 minutt med full effekt (pass på at vannet/glasset blir varmt)

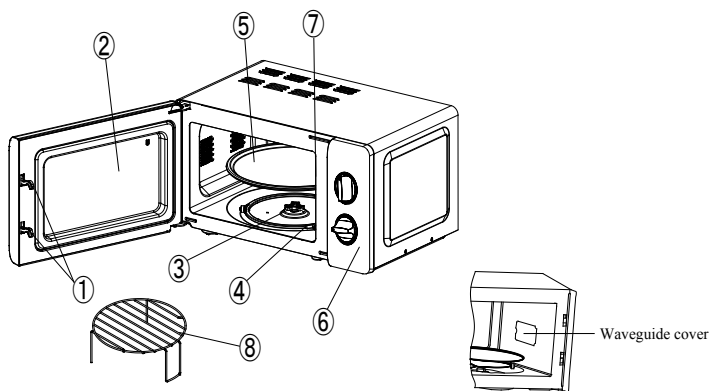
### Dreieskive/rotasjonsring/rotasjonsakse:



Vask med mildt såpevann

Skyll med rent vann og la det tørke grundig

## PRODUKTINSTRUKSJON



English	Norsk
Waveguide cover	Waveguide deksel

### 1) Dørlås

Mikrobølgeovnen må være ordentlig lukket for at den skal kunne fungere

### 2) Vindu

Tillat brukeren å se matlagingsstatus

### 3) Roterende akse

Glassplaten sitter på aksene; Motoren under den kjører dreieskiven for å rotere

### 4) Roterende ring

Glassplaten sitter på hjulene; den støtter skiven og hjelper den til å balansere når den roterer

### 5) Rotasjonsplate

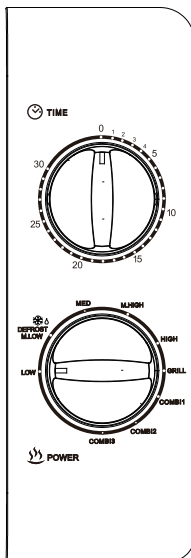
Maten står på platen

6) Kontrollpanel – juster tid og mikrobølgeeffekt

7) Waveguide deksel – Fjern ALDRI dette

8) Grillstativ – bruk for å plassere mat som skal stekes.

## BETJENING AV KONTROLLPANEL



## 1) Tidsur

- Den maksimale koketiden som kan settes, er 30 minutter.
- Hver innstilling er 1 minutt
- Et pling vil bli hørt når tidsuret går ut og går tilbake til nullstilling.

## 2) Funksjon/Strømbryter

Det er 5 mikrobølgeeffektnivåer:

Høy	100% effektutgang	(Hurtigkoking)
M.Høy	81% effektutgang	(Normal koking)
Med	58% effektutgang	(Sakte koking)
Tining	36% effektutgang	(Tining)
Lav	18% effektutgang	(Hold varm)

**Grill--** bare varmeelementet er i bruk. God brun farge vil bli oppnådd, og bare fargen vil gi deg vann i munnen. Men hvis maten er tykk i konsistensen, kan det føre til at overflaten av maten blir brent, men er fortsatt rå inni. Den er egnet for steking av pølse, kyllingvinger, koteletter, kjøttstykker, sandwicher osv.

**Kombinasjon--** magnetron og varmeelement fungerer på en vekslende måte. I henhold til egenskapene til maten, utnytt grill og mikrobølgeovn for å oppnå det beste resultatet.

**Kombi 1:** 30 % driftstid er magnetronen aktivert og 70 % er varmeelementet aktivert. Passer til steking av koteletter, smørbrød og så videre.

**Kombi 2:** 49% driftstid er magnetronen aktivert og 51% er varmeelementet aktivert. Passer til å steke små kyllinger og kjøtt.

**Kombi 3:** 67% driftstid er magnetronen aktivert og 33% er varmeelementet aktivert. Passer til å steke store kyllinger, and og etc.

## BETJENING

1) Koble ledningen

- Før du kobler til ledningen, må du kontrollere at tidsuret er satt til "0" -posisjon
- Ikke blokkér ventilasjonen

2) Plasser maten på glassplaten og lukk døren. mat må være i et kar.

3) Velg ønsket strømnivå

4) Still inn tidsuret

Hvis ønsket tid er mindre enn 10 minutter, dreier du timerknappen til over 10 minutter og deretter tilbake til ønsket tidsinnstilling

- 5) Når ønsket tid er satt, begynner matlagingen. Hvis pause er nødvendig, åpne døren når som helst og lukk den for å fortsette operasjonen
- 6) Når tiden går ut og kokingen avsluttes, produserer mikrobølgeovnen et klokking, innvendig lampe slås også automatisk av
  - Hvis maten er fjernet før tiden er ute, må du sørge for å stille timeren tilbake til "0" -posisjonen, dette unngår at mikrobølgeovnen går i tom belastning
  - Det anbefales å bruke hansker når du fjerner tilberedt mat fra ovnen.

Advarsel: Bruk aldri metall inne i mikrobølgeovnen.

Hvis mikrobølgeovnen ikke fungerer som den skal, kontakt nærmeste serviceverksted eller butikken der du kjøpte den. Forsøk aldri å reparere ovnen selv.

# DENVER®

[www.denver-electronics.com](http://www.denver-electronics.com)



Elektrisk og elektronisk utstyr og batterier inneholder materialer, komponenter og stoffer som kan være farlige for helse og miljøet, hvis avfallet (kasserte elektriske og elektroniske produkter og batterier) ikke håndteres riktig.

Elektrisk og elektronisk utstyr og batterier er merket med en søppelbøtte med kryss over, se nedenfor. Dette symbolet betyr at elektrisk og elektronisk utstyr og batterier ikke må kastes sammen med annet husholdningsavfall, men skal avhendes separat.

Som sluttbruker er det viktig at du sender inn dine brukte batterier til korrekt avfallsordning. På denne måten sikrer du at batteriene blir resirkulert i henhold til lovverket, og ikke skader miljøet.

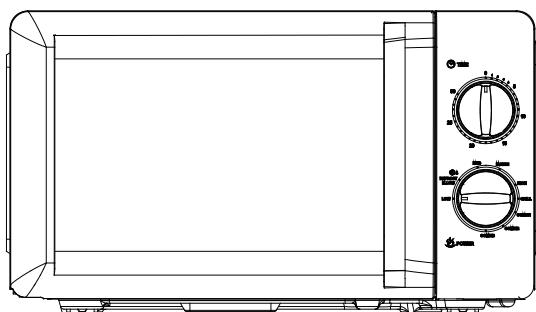
Alle byer har etablert innsamlingspunkter, hvor elektrisk og elektronisk utstyr og batterier kan enten sendes gratis til gjenvinningsstasjoner og andre innsamlingssteder, eller bli hentet direkte fra husholdningene. Mer informasjon er tilgjengelig hos lokale tekniske avdelinger.

Importert av:  
DENVER ELECTRONICS A/S  
Omega 5A, Soeften  
DK-8382 Hinnerup  
[www.facebook.com/denverelectronics](http://www.facebook.com/denverelectronics)

# DENVER®

## FORNO A MICROONDE

### Guida rapida



## OG-2030

[www.denver-electronics.com](http://www.denver-electronics.com)

**ISTRUZIONI DI SICUREZZA IMPORTANTI  
LEGGERE CON ATTENZIONE E CONSERVARE PER FUTURA  
CONSULTAZIONE**

**Italiano**

## Solo per uso domestico

Per assicurare una ventilazione sufficiente, la distanza del forno a microonde dalla parete deve essere di almeno 10 cm, dal lato alla parete deve essere almeno 5 cm, la distanza libera al di sopra della superficie superiore di almeno 20 cm, la distanza del forno a microonde da terra deve essere di almeno 85 cm.

L'apparecchio deve essere posizionato in modo che la spina sia accessibile e deve assicurare una buona messa a terra in caso di perdita, il circuito di terra deve essere tale da evitare scossa elettrica.

Il forno a microonde deve essere operato con sportello chiuso.

Il forno a microonde non deve essere posto in un mobile. Il forno a microonde è inteso essere usato libero.

Al primo utilizzo può rilasciare un certo odore. Ciò è normale e sparirà dopo alcuni utilizzi del forno a microonde.

## PULIZIA

### CURA DEL FORNO A MICROONDE



#### ATTENZIONE

Il forno deve essere pulito con regolarità e devono essere rimossi tutti i depositi di cibo. Il forno diventa caldo durante l'uso.



#### ATTENZIONE

1. Rimuovere il cavo di alimentazione dalla presa a muro prima della pulizia. Non immergere l'apparecchio in acqua o altri liquidi durante la pulizia.

Asciugare il forno dentro e fuori con un panno morbido umido

Se c'è un cattivo odore nel forno, porre all'interno una tazza di



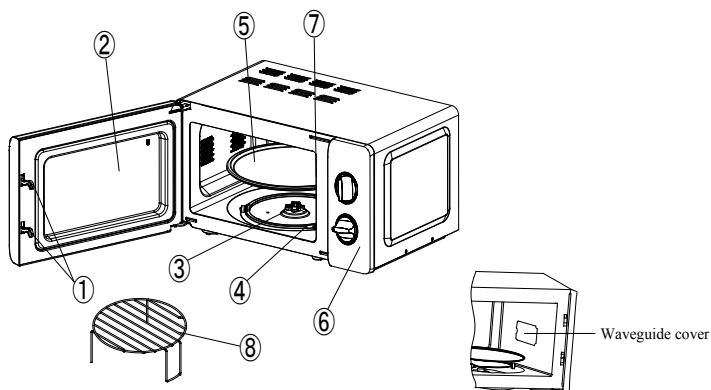
acqua con fette di limone e accendere per 1 minuto a piena potenza (fare attenzione in quanto acqua/vetro diventano caldi)

### **Piatto girevole/Anello di rotazione/Asse di rotazione:**

Lavare con acqua e sapone delicato

Asciugare con acqua pulita e far asciugare

## **ISTRUZIONI PRODOTTO**



English	Italiano
Waveguide cover	Coperchio guida d'onda

#### **1) Blocco sportello**

Lo sportello del forno a microonde deve essere chiuso in modo corretto affinché possa funzionare

#### **2) Finestra di visione**

Consente all'utente di vedere lo stato della cottura

#### **3) Asse di rotazione**

Il piatto girevole di vetro è posto sull'asse; il motore al di sotto guida il piatto girevole per ruotare

#### **4) Anello di rotazione**

Il piatto girevole di vetro è posto sulle sue ruote; esso supporta il piatto girevole e aiuta a bilanciarlo durante la rotazione

## 5) Giradischi

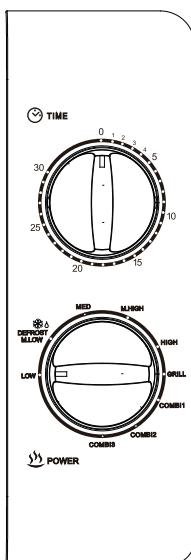
Gli alimenti sono posti sul piatto girevole

6) Pannello di controllo – regolare il tempo e la potenza del forno a microonde

7) Coperchio guida d'onda – NON rimuoverlo

8) Supporto griglia – usare per porre gli alimenti da arrostitire.

## FUNZIONAMENTO DEL PANNELLO DI CONTROLLO



### 1) Timer

- La durata massima del tempo di cottura che può essere impostata è 30 minuti.
- Ogni impostazione è 1 minuto
- Il suono di una campanello sarà udito quando il timer raggiunge la fine e ritorna in posizione Zero.

### 2) Manopola Funzione/Potenza

Ci sono 5 livelli di potenza delle microonde:

Alta	Uscita di potenza 100%	(Cottura rapida)
M. Alta	Uscita di potenza 81%	(Cottura normale)

Med	Uscita di potenza 58%	(Cottura lenta)
Scongela	Uscita di potenza 36%	(Scongelamento)
Basso	Uscita di potenza 18%	(Mantenere caldo)

**Griglia**-- solo l'elemento riscaldante è attivo. Sarà ottenuta una doratura ottima e anche il colore fa venire l'acquolina in bocca, ma se il cibo è spesso, ciò può provocare la bruciatura della parte esterna del cibo, che sarà non cotto al centro. È adatto per la cottura di salsicce, ali di pollo, costolette, fette di carne, sandwich ecc.

**Combinazione**-- magnetron ed elemento riscaldante funzionano in modo alternativo. Secondo le proprietà dell'alimento, utilizzare l'eccellenza della griglia e del microonde per ottenere il migliore risultato.

**Combi 1:** 30% di tempo di funzionamento il magnetron è acceso e il 70% di tempo l'elemento riscaldante è acceso. È idoneo per arrostitire crocchette, sandwich ecc.

**Combi 2:** 49% di tempo di funzionamento il magnetron è acceso e il 51% di tempo l'elemento riscaldante è acceso. È idoneo per cuocere allo spiedo un pollo piccolo e carne.

**Combi 3:** 67% di tempo di funzionamento il magnetron è acceso e il 33% di tempo l'elemento riscaldante è acceso. È idoneo per cuocere allo spiedo un pollo grande, anatra ecc.

## FUNZIONAMENTO

- 1) Collegare il cavo
  - Prima di collegare il cavo, assicurarsi che il timer è impostato in posizione "0"
  - Non bloccare la ventilazione
- 2) Porre il cibo sul piatto girevole di vetro e chiudere lo sportello; il cibo deve essere contenuto in un utensile.

3) Selezionare il livello di potenza desiderato

4) Impostazione del timer

Se il tempo desiderato è inferiore a 10 minuti, ruotare la manopola del timer sulla posizione 10 minuti e quindi ritornare all'impostazione del tempo desiderata

5) Una volta impostato il tempo desiderato, la cottura inizia. Se è necessaria una pausa, basta aprire lo sportello in qualsiasi momento e chiuderlo per riprendere il funzionamento

6) Quando il tempo si esaurisce e la cottura finisce, il forno a microonde produce il suono di una campanella, anche la spia all'interno si spegne automaticamente

- Se il cibo è rimosso prima dell'esaurimento del tempo, assicurarsi di riportare il timer in posizione "0", ciò evita il funzionamento del forno a microonde vuoto
- Si raccomanda di indossare guanti quando si rimuovono gli alimenti cotti dal forno.

Attenzione: Non usare mai metallo all'interno del forno a microonde.

Se il forno a microonde non funziona correttamente, contattare il servizio assistenza più vicino o il negozio in cui si è acquistato. Non cercare mai di preparare da soli il forno.

# DENVER®

[www.denver-electronics.com](http://www.denver-electronics.com)



Le apparecchiature elettriche ed elettroniche e le batterie incluse contengono materiali, componenti e sostanze che possono essere pericolose per la salute e per l'ambiente nel caso in cui il materiale di scarto (apparecchiature elettriche ed elettroniche e batterie) non venisse gestito correttamente.

Gli apparati elettrici ed elettronici e le batterie sono contrassegnati con il simbolo del cestino barrato (vedere di seguito). Questo simbolo indica che le apparecchiature elettriche ed elettroniche e le batterie non devono essere smaltite con gli altri rifiuti domestici, ma devono essere smaltite separatamente.

È importante inviare le batterie usate alle strutture appropriate e indicate. In questo modo si ha la garanzia che le batterie verranno riciclate in conformità alla normativa senza danneggiare l'ambiente.

Per le apparecchiature elettriche ed elettroniche e le batterie, tutte le città hanno stabilito dei sistemi di smaltimento che prevedono il conferimento gratuito presso le stazioni di riciclaggio oppure di raccolta

porta a porta. Ulteriori informazioni sono disponibili presso l'ufficio tecnico municipale.

Importato da:

DENVER ELECTRONICS A/S

Omega 5A, Soeften

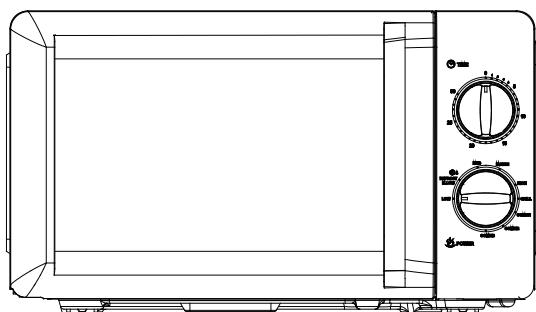
DK-8382 Hinnerup

[www.facebook.com/denverelectronics](http://www.facebook.com/denverelectronics)

# DENVER®

## MIKROWELLENOFEN

### Kurzanleitung



## OG-2030

[www.denver-electronics.com](http://www.denver-electronics.com)

**WICHTIGE SICHERHEITSHINWEISE  
SORGFÄLTIG LESEN UND FÜR SPÄTERE VERWENDUNG  
AUFBEWAHREN**

**Deutsch**

## Nur im Haushalt verwenden

Um eine ausreichende Belüftung sicherzustellen, muss der Abstand an der Rückseite des Mikrowellenofens zur Wand mindestens 10 cm betragen, von der Seite zur Wand sollte der Abstand mindestens 5 cm betragen, der freie Abstand an der Oberseite muss mindestens 20 cm betragen, der Abstand vom Mikrowellenofen zum Boden muss mindestens 85 cm betragen.

Das Gerät muss so positioniert werden, dass der Stecker zugänglich ist und eine gute Erdung im Falle einer Leckage muss sichergestellt werden, eine Masseschleife kann gebildet werden, um einen elektrischen Schlag zu vermeiden.

Der Mikrowellenofen muss mit geschlossener Türe betrieben werden.

Der Mikrowellenofen darf nicht in einem Schrank platziert werden. Der Mikrowellenofen ist dazu gedacht, freistehend verwendet zu werden.

Bei der ersten Verwendung kann Geruch entstehen. Dies ist absolut normal und tritt nach einigen Verwendungen des Mikrowellenofens nicht mehr auf.

## REINIGUNG

### PFLEGE DES MIKROWELLENOFENS



#### VORSICHT

Der Ofen muss regelmäßig gereinigt und Speisereste müssen entfernt werden. Der Ofen wird bei der Verwendung heiß.



#### ACHTUNG

1. Trennen Sie vor der Reinigung das Stromkabel von der Wandsteckdose. Tauchen Sie das Gerät bei der Reinigung nicht in Wasser oder andere Flüssigkeiten ein.



Wischen Sie den Ofen innen und außen mit einem feuchten, weichen Tuch aus.

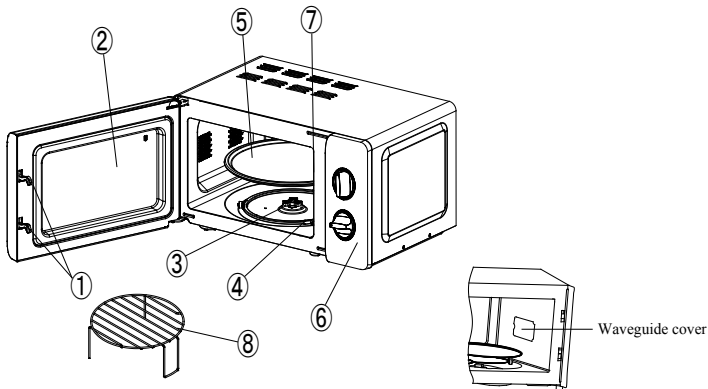
Wenn Geruch im Ofen entsteht, stellen Sie bitte eine Tasse Zitronenscheiben hinein und drehen Sie 1 Minute lang auf volle Leistung (beachten Sie, dass das Wasser / Glas sehr heiß wird)

### **Plattenteller / Rotationsring / Drehachse:**

Mit weichem Seifenwasser waschen

Mit klarem Wasser spülen und sorgfältig trocknen lassen

## **ANLEITUNG ZUM PRODUKT**



English	Deutsch
Waveguide cover	Wellenleiterabdeckung

### **1) Türschloss**

Die Türe des Mikrowellenofens muss ordnungsgemäß geschlossen sein, damit der Ofen betrieben werden kann

### **2) Sichtfenster**

Ermöglicht dem Benutzer den Kochzustand anzusehen

### **3) Drehachse**

Der Glasplattenteller sitzt auf der Achse; der darunterliegende Motor treibt die Drehung des Plattentellers an

#### 4) Rotationsring

Der Glasplattenteller sitzt auf seinen Laufrädern; er stützt den Plattenteller und hilft dabei, ihn beim Drehen auszubalancieren

#### 5) Plattenteller

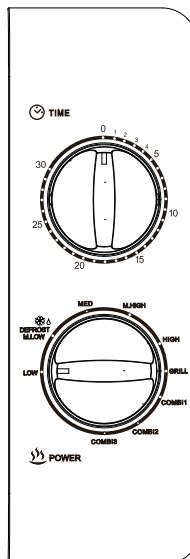
Das Essen befindet sich auf dem Plattenteller

6) Bedienfeld – Zeit und Mikrowellenleistung einstellen

7) Wellenleiterabdeckung – NIEMALS entfernen

8) Grillgestell – wird verwendet, um Speisen zum Rösten zu platzieren.

### BEDIENUNG DES BEDIENFELDS



#### 1) Timer

- Die max. Kochzeit kann auf 30 Minuten eingestellt werden.
- Jede Einstellung beträgt 1 Minute
- Eine Glocke läutet, wenn der Timer abgelaufen ist und auf die Nullstellung zurückgeht.

#### 2) Funktion / Power-Knopf

Es gibt 5 Mikrowellen Leistungsebenen:

Hoch	100% Leistung	(Schnelles Kochen)
M.Hoch	81% Leistung	(Normales Kochen)
Med	58% Leistung	(Langsames Kochen)
Auftauen	36% Leistung	(Auftauen)
Niedrig	18% Leistung	(Warmhalten)

**Grill--** nur das Heizelement wird eingeschaltet. Es wird eine gute, braune Farbe erreicht, schon die Farbe lässt einem das Wasser im Mund zusammenlaufen, aber wenn die Speisen dick sind, kann es passieren, dass die Oberfläche der Speisen verbrannt ist und die Speisen in der Mitte noch nicht durchgebacken sind. Ist geeignet zum Grillen von Soßen, Hähnchenflügeln, Kotletts, Fleischscheiben, Sandwich, usw.

**Kombination** -- Das Magnetron und das Heizelement schalten abwechselnd. Entsprechend der Eigenschaften der Speisen, bei Nutzung der Spitzenleistung des Grills und des Mikrowellenofens, erhalten Sie das beste Ergebnis.

**Combi 1:** 30% der Betriebszeit wird das Magnetron eingeschaltet und 70% der Betriebszeit wird das Heizelement eingeschaltet. Ist geeignet zur Röstung von Kotletts, Sandwich, usw.

**Combi 2:** 49% der Betriebszeit wird das Magnetron eingeschaltet und 51% der Betriebszeit wird das Heizelement eingeschaltet. Ist geeignet zum Grillen kleiner Hähnchen und von Fleisch.

**Combi 3:** 67% der Betriebszeit wird das Magnetron eingeschaltet und 33% der Betriebszeit wird das Heizelement eingeschaltet. Ist geeignet zum Grillen großer Hähnchen, Ente, usw.

## BEDIENUNG

1) Kabel anschließen

- Bevor Sie das Kabel anschließen, stellen Sie sicher, dass der

- Timer auf die Position „0“ gesetzt ist
- Blockieren Sie nicht die Belüftung
- 2) Platzieren Sie die Speisen auf den Glasplattenteller und schließen Sie die Türe; die Speisen müssen in einem Behältnis sein.
  - 3) Wählen Sie die gewünschte Leistungsebene aus
  - 4) Timer einstellen

Wenn die gewünschte Zeit weniger als 10 Minuten beträgt, drehen Sie den Timerknopf auf eine Position von mehr als 10 Minuten und drehen ihn dann auf die gewünschte Zeiteinstellung zurück

- 5) Sobald die gewünschte Zeit eingestellt ist, beginnt der Kochvorgang. Wenn es zwischendurch erforderlich ist zu pausieren, öffnen Sie einfach jederzeit die Türe, und schließen Sie diese wieder, um den betrieb wieder aufzunehmen
  - 6) Wenn die Zeitschaltuhr ausschaltet, endet der Kochvorgang, der Mikrowellenofen gibt einen Klingelton ab, die Innenleuchte schaltet ebenfalls automatisch aus
- Wenn die Speise entnommen wird, bevor der Timer ausschaltet, achten Sie darauf, den Timer auf die Position „0“ einzustellen, dies verhindert, dass der Mikrowellenofen ohne Last arbeitet
  - Es wird empfohlen, beim Herausnehmen von Speisen aus dem Ofen, Handschuhe zu tragen.

Warnung: Verwenden Sie kein Metall im Mikrowellenofen.

Wenn der Mikrowellenofen nicht ordnungsgemäß funktioniert,

kontaktieren Sie bitte das nächste Servicezentrum oder dem Geschäft, in dem Sie das Gerät gekauft haben. Versuchen Sie niemals, den Ofen selbst zu reparieren.

# DENVER®

[www.denver-electronics.com](http://www.denver-electronics.com)



Elektrische und elektronische Geräte sowie Batterien enthalten Materialien, Komponenten und Substanzen, welche für Sie und Ihre Umwelt schädlich sein können, sofern die Abfallmaterialien (entsorgte elektrische und elektronische Altgeräte sowie Batterien) nicht korrekt gehandhabt werden.

Elektrische und elektronische Geräte sowie Batterien sind mit der durchgestrichenen Mülltonne, wie unten abgebildet, kenntlich gemacht. Dieses Symbol bedeutet, dass elektrische und elektronische Altgeräte sowie Batterien nicht mit dem Hausmüll entsorgt werden dürfen, sie müssen separat entsorgt werden.

Als Endverbraucher ist es notwendig, dass Sie Ihre erschöpften Batterien bei den entsprechenden Sammelstellen abgeben. Auf diese Weise stellen Sie sicher, dass die Batterien entsprechend der Gesetzgebung recycelt werden und keine Umweltschäden anrichten.

Städte und Gemeinden haben Sammelstellen eingerichtet, an denen elektrische und elektronische Altgeräte sowie Batterien kostenfrei zum

Recycling abgegeben werden können, alternativ erfolgt auch Abholung.  
Weitere Informationen erhalten Sie bei der Umweltbehörde Ihrer  
Gemeinde.

Importeur:

DENVER ELECTRONICS A/S

Omega 5A, Soeften

DK-8382 Hinnerup

[www.facebook.com/denverelectronics](http://www.facebook.com/denverelectronics)

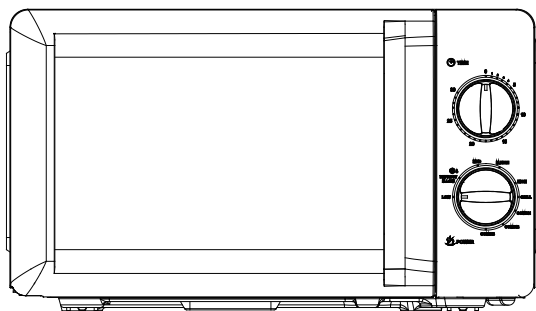




# DENVER®

## FOUR A MICROONDE

### Guide de démarrage rapide



# OG-2030

[www.denver-electronics.com](http://www.denver-electronics.com)

**INSTRUCTIONS DE SÉCURITÉ IMPORTANTES  
LIRE SOIGNEUSEMENT ET GARDER POUR S'Y REFERER  
PLUS TARD**

**Français**

## A usage uniquement domestique

Pour assurer une ventilation suffisante, la distance de l'arrière du microonde par rapport au mur doit être d'au moins 10 cm, le côté doit être à au moins 5 cm du mur, la distance au-dessus d'au moins 20 cm, et la distance par rapport au sol de 85 cm minimum.

L'appareil doit être placé pour que la prise soit accessible, et il faut s'assurer d'une bonne mise à la terre en cas de fuite, une prise de terre en boucle peut être effectuée pour éviter une électrocution.

Le four à microonde doit fonctionner avec la porte fermée.

Le four à microonde ne pas pas être placé dans un endroit clos. Le four à microonde est prévu pour être utilisé sur ses propres pieds.

La première utilisation peut émettre une odeur. Cela est tout à fait normal et disparaîtra après quelques utilisations du four à microonde.

## NETTOYAGE

### SOINS POUR LE FOUR A MICROONDE



#### ATTENTION

Le four doit être nettoyé régulièrement, et toute trace d'aliment retirée. Le four chauffe pendant son utilisation.



#### AVERTISSEMENT

1. Retirer la fiche de la prise électrique avant le nettoyage. Ne pas immerger l'appareil dans l'eau ou autres fluides pour nettoyer l'appareil.

Essuyer l'intérieur du four avec un chiffon doux mouillé.

Si une odeur se dégage du four, mettre une tasse d'eau avec

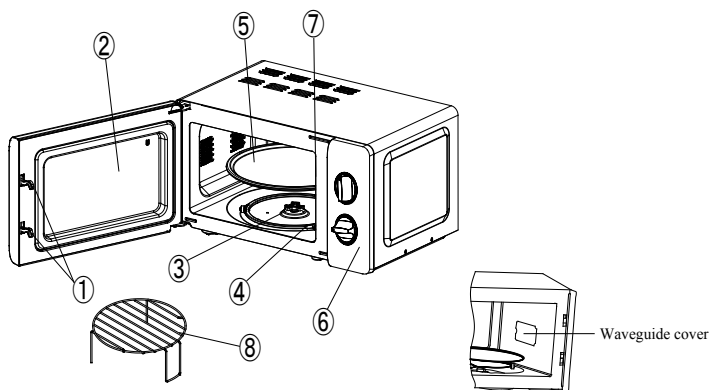
des rondelles de citron et mettre la puissance au maximum pendant 1 minute (faire attention car la tasse et l'eau seront chaudes).

### **Table tournante / Anneau de rotation / Axe de rotation :**

Laver avec de l'eau et du savon doux

Rincer avec de l'eau claire et bien laisser sécher

## **INSTRUCTIONS CONCERNANT LE PRODUIT**



English	Français
Waveguide cover	Couvercle de direction des ondes

#### **1) Verrou de porte**

La porte du four à microonde doit être correctement fermée pour qu'il fonctionne.

#### **2) Fenêtre de vision**

Permet à l'utilisateur de voir le degré de cuisson

#### **3) Axe de rotation**

La table tournante en verre est posée sur l'axe ; le moteur dessous entraine la table à tourner.

#### **4) Anneau de rotation**

La table tournante en verre est posée sur des roulettes ; elles

supportent la table et maintiennent l'équilibre lors de la rotation.

### 5) Table tournante

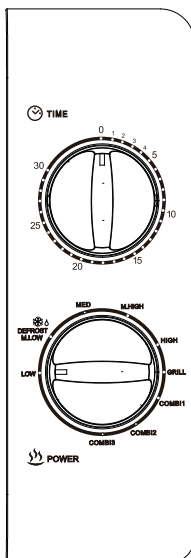
Les aliments sont posés sur la table tournante.

6) Panneau de commande - ajuster la durée et la puissance du microonde.

7) Couvercle de direction des ondes - Ne JAMAIS le retirer

8) Gril - l'utiliser pour griller des aliments.

## FONCTIONNEMENT DU PANNEAU DE COMMANDE



### 1) Minuteur

- La durée maximum de cuisson est de 30 minutes.
- Chaque incrément est de 1 minute
- Un tintement retentit quand la durée est atteinte et la minuterie revient à zéro.

### 2) Bouton de Fonction / Puissance

5 niveaux de puissance de microonde sont disponibles :

Élevé	100% de puissance	(Cuisson rapide)
Elevé moyen	81% de puissance	(Cuisson normale)
Moyen	58% de puissance	(Cuisson lente)
Décongélation	36% de puissance	(Décongélation)
Faible	18% de puissance	(Garder au chaud)

**Gril** -- seul l'élément de chauffage est sous tension. Une belle couleur marron est obtenue, même la couleur vous fait saliver, mais si l'aliment est épais, il se peut que sa surface soit brûlée, mais que le centre ne soit pas cuit. Il est approprié pour griller des saucisses, ailes de poulet, côtelettes, tranches de viande, sandwich, etc.

**Combiné** -- le générateur de microonde et l'élément de chauffage fonctionnent alternativement. Selon les propriétés des aliments, les meilleurs résultats sont obtenus en utilisant l'excellence du grill et du microonde.

**Combi 1** : Le générateur de microonde fonctionne 30% du temps et l'élément de chauffage 70%. Il est approprié pour rôtir des côtelettes, des sandwiches, etc.

**Combi 2** : Le générateur de microonde fonctionne 49% du temps et l'élément de chauffage 51%. Il est approprié pour griller des petits pièces de poulet et de viande.

**Combi 3** : Le générateur de microonde fonctionne 67% du temps et l'élément de chauffage 33%. Il est approprié pour griller de grosses pièces de poulet, de canard, etc.

## UTILISATION

- 1) Brancher le fil électrique
  - Avant de brancher le fil, s'assurer que la minuterie est à « 0 ».

- Ne pas boucher la ventilation
- 2) Placer les aliments sur la table tournante et fermer la porte ; les aliments doivent être dans une contenant.
- 3) Sélectionner la puissance désirée.
- 4) Régler la minuterie

Si la durée désirée est de moins de 10 minutes, tourner le bouton sur 10 minutes puis revenir en arrière jusqu'à la durée voulue.

- 5) Une fois la durée réglée, la cuisson commence. Si une pause intermédiaire est nécessaire, ouvrir simplement la porte et la refermer pour reprendre les opérations.
- 6) Quand le délai est passé et que la cuisson se termine, le four à microonde émet un tintement, la lampe à l'intérieur s'éteint aussi automatiquement.
- Si les aliments sont retirés avant la fin de la durée, s'assurer de remettre la minuterie sur « 0 », cela évite de faire fonctionner le microonde à vide.
- Il est recommandé de porter des gants pour retirer les aliments du four.

Attention : Ne jamais mettre de métal dans le four à microonde.

Si le four à microonde ne fonctionne pas correctement, veuillez contacter le centre de service le plus proche ou le magasin dans lequel vous l'avez acheté. N'essayez jamais de réparer le four vous-même.

# DENVER®

[www.denver-electronics.com](http://www.denver-electronics.com)



Les appareils électriques et électroniques et les batteries contiennent des matériaux, composants et substances qui peuvent nuire à votre santé et à l'environnement si ces déchets ne sont pas traités de façon appropriée.

Les appareils électriques et électroniques et les batteries sont marqués par le symbole de poubelle avec roulettes et une croix dessus, voir ci-dessous. Ce symbole indique que les appareils électriques et électroniques et les batteries doivent être collectés et jetés séparément des ordures ménagères.

En tant qu'utilisateur final, il est important que vous jetiez les batteries usagées dans des centres de collecte appropriés. En mettant au rebut les batteries pour être recyclées conformément à la réglementation vous contribuez à préserver l'environnement.

Dans toutes les villes existent des points de collecte où les appareils électriques et électroniques et les batteries peuvent y être déposés sans frais pour le recyclage. Vous pouvez obtenir des informations

supplémentaires auprès des autorités locales de la ville.

Importateur :

DENVER ELECTRONICS A/S

Omega 5A, Soeften

DK-8382 Hinnerup

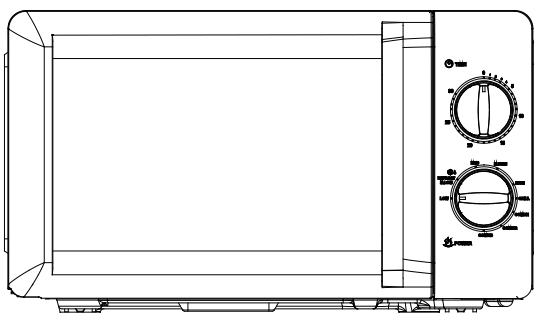
[www.facebook.com/denverelectronics](http://www.facebook.com/denverelectronics)



# DENVER®

## MIKROAALTOUUNI

### Pikaopas



## OG-2030

[www.denver-electronics.com](http://www.denver-electronics.com)

**TÄRKEITÄ TURVALLISUUSOHJEITA  
LUE HUOLELLISESTI JA SÄILYTÄ MYÖHEMPÄÄ TARVETTA  
VARTEN**

**Suomi**

## Vain kotitalouskäyttöön

Jotta tuuletus olisi riittävä, mikroaaltouunin etäisyys seinästä tulee olla vähintään 10 cm, ja etäisyyden sivusta seinään tulee olla vähintään 5 cm. Yläpuolella tulee olla tilaa vähintään 20 cm, ja mikroaaltouunin tulee olla vähintään 85 cm:n korkeudella.

Laite tulee sijoittaa siten, että pistoke on käytettävissä, maadoitus on varmistettu vuotojen varalta ja maadoitussilmukka voidaan muodostaa sähköiskun välttämiseksi.

Mikroaaltouunia tulee käyttää ovi suljettuna.

Mikroaaltouunia ei saa asettaa kaappiin. Mikroaaltouuni on tarkoitettu vapaasti seisovaksi.

Ensimmäisellä kerralla mikroaaltouuni saattaa päästää hieman hajuja. Tämän täysin normaalia ja haju poistuu muutaman käyttökerran jälkeen.

## PUHDISTUS

### MIKROAALTOUUNIN KUNNOSSAPITO



#### HUOMIO

Uuni tulee puhdistaa säännöllisesti ja kaikki ruokajäämät on poistettava. Uuni kuumenee käytettäessä.



#### VAROITUS

1. Irrota virtajohto seinäpistokkeesta ennen puhdistamista. Älä upota laitetta veteen tai muihin nesteisiin puhdistuksen aikana.

Pyyhi uuni sisältä ja ulkoa kostealla pehmeällä liinalla

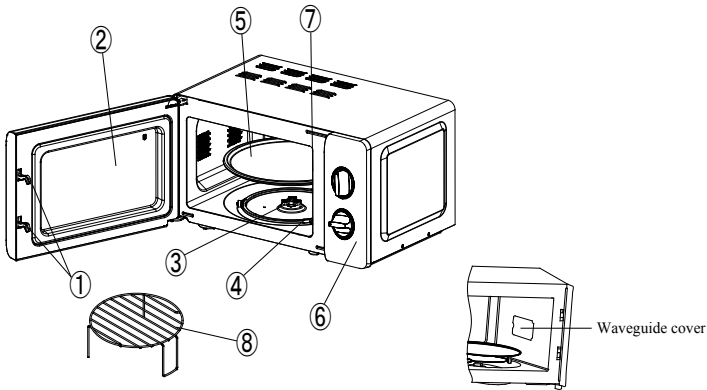
Jos uunin sisäosassa on hajuja, aseta uuniin kupillinen vettä sitruunan palojen kanssa ja käytä uunia täydellä teholla 1 minuutti (ole varovainen, koska vesi ja lasi kuumenevat)

## Mikroaaltouunin lautanen/pyörintärengas/pyörintäakseli:

Pese miedolla saippuvedellä

Huuhtele puhtaalla vedellä ja anna kuivua täydellisesti

### TUOTEOHJEET



English	Suomi
Waveguide cover	Suoja

#### 1) Oven lukko

Mikroaaltouunin ovi tulee sulkea oikein, jotta se toimii

#### 2) Tarkasteluikkuna

Mahdollistaa valmistuksen tilan tarkkailemisen

#### 3) Pyörivä akseli

Akselin päällä on lasilautanen. Alla oleva moottori pyörittää lasilautasta

#### 4) Pyörivä rengas

Lasilautanen on asetettu sen renkaiden päälle; se tukee lautasta ja auttaa tasapainottamaan pyörimisliikettä

#### 5) Lautanen

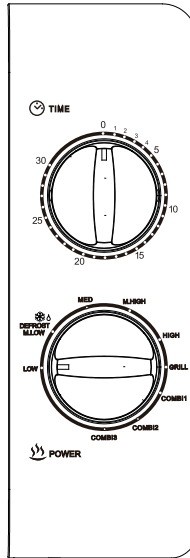
Ruoka asetetaan lautaselle

6) Ohjauspaneeli – säädä aikaa ja mikroaaltojen tehoa

7) Waveguide-suojus – ÄLÄ koskaan poista tätä

## 8) Grilliteline – käytä tätä ruoan paistamiseen.

### OHJAUSPANEELIN KÄYTTÖ



#### 1) Ajastin

- Pisin asetettava valmistusaika on 30 minuuttia.
- Aika voidaan asettaa 1 minuutin välein
- Kuulet äänikellon äänen, kun ajastin palaa nolla-asentoon.

#### 2) Toiminto/virtanappi

Mikroaaltojen teho voidaan asettaa 5 tasolle:

Korkea	Lähtöteho 100 %	(pikavalmistus)
Keskikorkea	Lähtöteho 81%	(normaali valmistus)
Keskitaso	Lähtöteho 58%	(hidas valmistus)
Sulatus	Lähtöteho 36%	(sulatus)
Matala	Lähtöteho 18%	(pidä lämpimänä)

**Grilli--** vain kuumennuselementtiin johdetaan virtaa. Voit saavuttaa hyvän ruskean värin, ja pelkästään väri tuo veden kielelle, mutta jos ruokaa on paksult, pinta saattaa palaa ja keskus on kypsentämätön. Sopii makkaroiden, kanansiipien, kyljysten, lihaviipaleiden, leipien jne. paahtamiseen.

**Yhdistelmä--** magnetroni ja lämmityselementti toimivat vuorotellen. Grilliä ja mikroaaltoja käytetään ruoan ominaisuuksien mukaan parhaan tuloksen saavuttamiseksi.

**Yhdistelmä 1:** Magnetroni on virroitettu 30 % käyttöajasta ja lämmityselementti 70 % ajasta. Soveltuu kyljysten, voileipien jne. paahtamiseen.

**Yhdistelmä 2:** Magnetroni on virroitettu 49% käyttöajasta ja lämmityselementti 51% ajasta. Soveltuu pienen kanan ja lihan paahtamiseen.

**Yhdistelmä 3:** Magnetroni on virroitettu 67% käyttöajasta ja lämmityselementti 33% ajasta. Soveltuu suuren kanan, ankan jne. paahtamiseen.

## KÄYTTÖ

- 1) Liitä johto
  - Varmista ennen johdon liittämistä, että ajastin on asetettu 0-asentoon
  - Älä tuki tuuletusta
- 2) Aseta ruoka lasilautaselle ja sulje ovi. Ruoka tulee asettaa astiaan.
- 3) Valitse haluamasi tehotaso
- 4) Aseta ajastin

Jos haluttu aika on lyhyempi kuin 10 minuuttia, käännä ajastimen nuppia 10 minuutin asentoon ja käännä se sitten takaisin haluttuun aika-asetukseen

- 5) Kun haluttu aika on asetettu, valmistus alkaa. Jos valmistuksen aikana vaaditaan taukoja, avaa ovi milloin tahansa ja sulje se, kun haluat jatkaa valmistusta
- 6) Kun aika on kulunut ja valmistus loppuu, mikroaaltouuni toistaa äänimerkin ja sisällä oleva lamppu kytkeytyy myös pois päältä automaattisesti.
  - Jos ruoka poistetaan ennen valmistumisen lopettamista, muista asettaa ajastin takaisin 0-asentoon, jotta vältät mikroaaltouunin käyttämisen tyhjänä
  - Suosittelemme käsineiden käyttämistä, kun poistat valmistetun ruoan uunista.

Varoitus: Älä koskaan käytä metallia mikroaaltouunin sisällä.

Jos mikroaaltouuni ei toimi oikein, ota yhteyttä lähimpään huoltokeskukseen tai myymälään, josta ostit sen. Älä koskaan yritä korjata uunia itse.

# DENVER®

[www.denver-electronics.com](http://www.denver-electronics.com)



Sähkö- ja elektroniikkalaitteet sekä niissä käytettävät akut sisältävät materiaaleja, komponentteja ja aineita, jotka voivat olla vahingollisia terveydelle ja ympäristölle, jos jättemateriaalia (pois heitettävät sähkö- ja elektroniikkalaitteet sekä akut) ei käsitellä asianmukaisesti.

Sähkö- ja elektroniikkalaitteet sekä akut on merkitty alla olevalla rastitetun jäteastian symbolilla. Symboli kertoo, ettei sähkö- ja elektroniikkalaitteita tai akkuja saa hävittää kotitalousjätteen mukana vaan ne on hävitettävä erikseen.

On tärkeää, että loppukäyttäjänä viet käytetyt akut oikeaan keräyspaikkaan. Tällä tavoin voit varmistaa, että akut kierrätetään lain mukaan eivätkä ne vahingoita ympäristöä.

Kaikkiin kaupunkeihin on perustettu keräyspisteitä. Sähkö- ja elektroniikkalaitteet sekä akut voi viedä itse ilmaiseksi pisteisiin tai ne voidaan kerätä suoraan kotoa. Lisätietoja saat kuntasi tekniseltä osastolta.

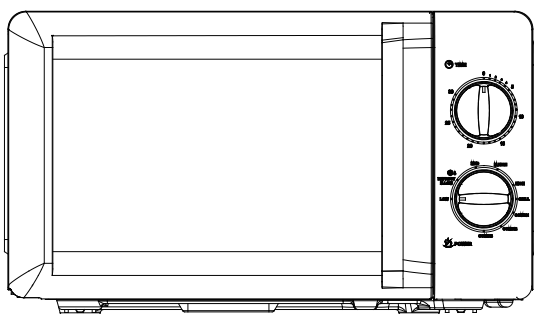
Maahantuojaja:  
DENVER ELECTRONICS A/S  
Omega 5A, Soefien  
DK-8382 Hinnerup  
[www.facebook.com/denverelectronics](http://www.facebook.com/denverelectronics)



# DENVER®

## MICROWAVE OVEN

### Snelstartgids



# OG-2030

[www.denver-electronics.com](http://www.denver-electronics.com)

**BELANGRIJKE VEILIGHEIDSINSTRUCTIES  
ZORGVULDIG LEZEN EN BEWAREN ALS NASLAGWERK**

**Nederlands**

## **Uitsluitend voor huishoudelijk gebruik**

Om voldoende ventilatie te garanderen, moet de afstand tussen de achterzijde van de magnetron en de muur minstens 10 cm te zijn, de afstand tussen de zijkanten en de muur minstens 5 cm, de vrije afstand boven de bovenkant minstens 20 cm en de afstand van de magnetron tot de vloer minstens 85 cm.

Het apparaat moet zodanig worden geplaatst dat de stekker toegankelijk is. U moet bovendien voor een goede aarding zorgen zodat er in geval van lekkage een massalus kan worden gevormd om elektrische schokken te voorkomen.

De magnetronoven moet worden bediend met gesloten deur.

De magnetronoven mag niet in een kabinet worden geplaatst. De magnetronoven is bestemd voor vrijstaand gebruik.

U kunt tijdens het eerste gebruik mogelijk een vreemd luchtje opmerken. Dit is perfect normaal en zal verdwijnen nadat u de magnetronoven slechts enkele keren hebt gebruikt.

## **REINIGING**

### **DE MAGNETRONOVEN ONDERHOUDEN**

#### **OPGELET**

De oven dient regelmatig te worden gereinigd en enigerlei voedselresten moeten worden verwijderd. De oven zal heet worden tijdens gebruik.

#### **WAARSCHUWING**

1. Haal de stekker uit het stopcontact voorafgaand aan reiniging. Dompel het apparaat nooit in water of andere vloeistoffen om te reinigen.

Veeg de binnen- en buitenzijden van de oven af met een ietwat vochtig, zacht doekje

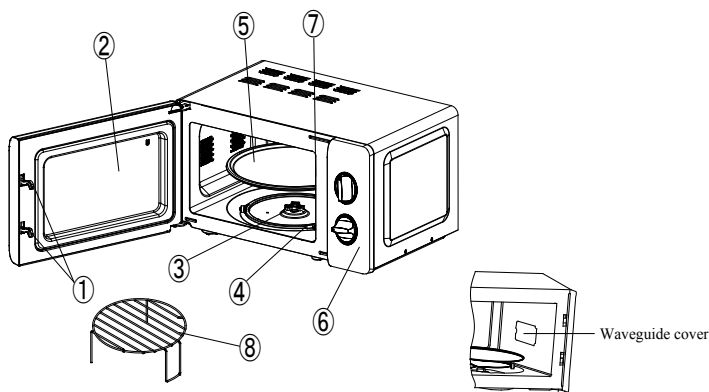
Als er een naar luchtje uit de binnenzijde van de oven komt, plaats a.u.b. een kopje water met citroenschijfjes in de oven en laat deze 1 minuut op vol vermogen werken (houd er rekening mee dat het water/glas heet zal worden)

## Draaiplateau/draairing/draaiende as:

Wassen met een mild sopje

Afspoelen met schoon water en goed laten drogen

## PRODUCTINSTRUCTIES



English	Nederlands
Waveguide cover	Cover van golfgeleider

### 1) Deurvergrendeling

De magnetronoven moet goed worden gesloten om te kunnen functioneren

### 2) Kijkvenster

U kunt hierdoor de kookstatus controleren

### 3) Draaiende as

Het glazen draaiplateau rust op de as; de motor daaronder laat het plateau draaien

### 4) Draairing

Het glazen draaiplateau rust op zijn wieltjes; deze wieltjes

ondersteunen het draaiplateau en helpen met de balans tijdens het draaien

### 5) Draaiplateau

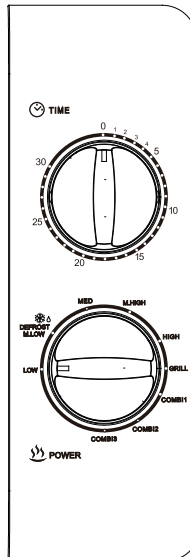
Het voedsel rust op het draaiplateau

6) Bedieningspaneel – tijd en magnetronvermogen instellen

7) Cover van golfgeleider – dit NOOIT verwijderen

8) Grillrooster – gebruikt om te roosteren voedsel te plaatsen

## HET BEDIENINGSPANEEL GEBRUIKEN



### 1) Timer

- De maximale kookduur die u kunt instellen is 30 minuten.
- Elke instellingsstap is 1 minuut.
- Er zal een belletje klinken wanneer de timer is verlopen en terugkeert naar de nulstand.

### 2) Functie-/vermogenknop

Er zijn 5 niveaus beschikbaar voor het magnetronvermogen:

Hoog	100% vermogenuitvoer	(Snel koken)
Middelhoog	81% vermogenuitvoer	(Normaal koken)
Gemiddeld	58% vermogenuitvoer	(Traag koken)
Ontdooien	36% vermogenuitvoer	(Ontdooien)
Laag	18% vermogenuitvoer	(Warm houden)

**Grill--** alleen het verwarmingselement wordt aangedreven. Een mooie bruine kleur zal worden verkregen, alleen deze kleur al maakt uw mond wateren. Als het voedsel echter te dik is, kan de buitenzijde van het voedsel aanbranden terwijl het voedsel in het midden nog niet gaar is. Deze functie is geschikt is voor het grillen van worstjes, kipvleugels, koteletten, vleeslapjes, sandwiches, enz.

**Combinatie--** de magnetron en het verwarmingselement werken afwisselend. De grill en magnetron gebruiken op basis van de kenmerken van het voedsel om de beste resultaten te krijgen.

**Combi 1:** Voor 30% van de kooktijd wordt de magnetron aangedreven en voor 70% van de kooktijd het verwarmingselement. Dit is geschikt voor het roosten van koteletjes, sandwiches, enz.

**Combi 2:** Voor 49% van de kooktijd wordt de magnetron aangedreven en voor 51% van de kooktijd het verwarmingselement. Dit is geschikt voor het grillen van kleine kipstukjes en vlees.

**Combi 3:** Voor 67% van de kooktijd wordt de magnetron aangedreven en voor 33% van de kooktijd het verwarmingselement. Dit is geschikt voor het grillen van grote kipstukken, eendenvlees, enz.

## BEDIENING

- 1) Sluit het snoer aan
  - Voordat u het snoer aansluit, controleer of de timer is ingesteld op stand "0"
  - Blokkeer nooit de ventilatie
- 2) Plaats het voedsel op het glazen draaiplateau en sluit de deur; het voedsel moet in een container zitten.
- 3) Selecteer het gewenste vermogenniveau
- 4) Stel de timer in

Als de gewenste tijd korter is dan 10 minuten, draai de timerknop verder dan de stand "10 minuten" en draai de knop vervolgens terug naar de gewenste tijdinstelling

- 5) Het koken begint nadat de gewenste tijd eenmaal is ingesteld. Als het kookproces tussentijds moet worden gepauzeerd, dan kunt u de deur op elk gewenst moment openen en weer sluiten om het koken te hervatten
- 6) Wanneer de timer is verlopen en het kookproces eindigt, zal de magnetronoven een belletje laten horen terwijl de interne lamp automatisch wordt uitgeschakeld
  - Als u het voedsel verwijdert voordat de tijd is verlopen, stel de timer a.u.b. terug in op de stand "0" om te voorkomen dat de magnetronoven leeg begint te werken
  - Wij raden u aan ovenwanten te dragen wanneer u het gekookte voedsel uit de oven haalt.

Waarschuwing: Gebruik geen metaal binnenin de magnetronoven. Als de magnetronoven niet goed werkt, neem dan a.u.b. contact op met het dichtstbijzijnde servicecentrum of de winkel waar u het product hebt aangeschaft. Probeer de oven nooit zelf te repareren.

# DENVER®

[www.denver-electronics.com](http://www.denver-electronics.com)



Elektrische en elektronische apparatuur en de inbegrepen batterijen bevatten materialen, componenten en stoffen die schadelijk kunnen zijn voor uw gezondheid en het milieu, indien de afvalproducten (afgedankte elektrische en elektronische apparatuur en batterijen) niet correct worden verwerkt.

Elektrische en elektronische apparatuur en batterijen zijn gemarkeerd met een doorgekruist klike-symbool, zoals hieronder afgebeeld. Dit symbool is ervoor bestemd om de gebruiker er op te wijzen dat elektrische en elektronische apparatuur en batterijen niet bij het overige huisvuil mogen worden weggegooid, maar gescheiden moeten worden ingezameld.

Als eindgebruiker is het belangrijk dat u uw verbruikte batterijen inlevert bij een geschikte en speciaal daarvoor bestemde faciliteit. Op deze manier is het gegarandeerd dat de batterijen worden hergebruikt in overeenstemming met de wetgeving en het milieu niet aantasten.

Alle steden hebben specifieke inzamelpunten, waar elektrische of

elektronische apparatuur en batterijen kosteloos ingeleverd kunnen worden bij recyclestations of andere inzamellocaties. In bepaalde gevallen kan het afval ook aan huis worden opgehaald. Vraag om meer informatie bij uw plaatselijke autoriteiten.

Importeur:

DENVER ELECTRONICS A/S

Omega 5A, Soeften

DK-8382 Hinnerup

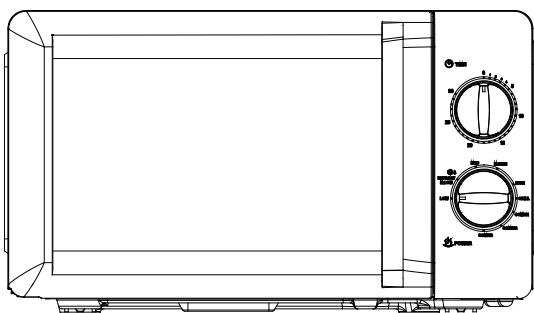
[www.facebook.com/denverelectronics](http://www.facebook.com/denverelectronics)



# DENVER®

## MIKROBØLGEOVN

### Kvikstartguide



## OG-2030

[www.denver-electronics.com](http://www.denver-electronics.com)

**VIGTIGE SIKKERHEDSANVISNINGER  
LÆS OMHYGGELIGT, OG GEM TIL SENERE BRUG**

**Dansk**

## Kun til husholdningsbrug

For at sikre tilstrækkelig luftcirkulation skal afstanden fra bagsiden af mikrobølgeovnen til væggen være mindst 10 cm, og fra siden til væggen skal der være mindst 5 cm. Over ovnen skal der være mindst 20 cm frirum. Afstanden fra mikrobølgeovnen til jorden skal være mindst 85 cm.

Apparatet skal placeres således, at der er let adgang til stikproppen, og der skal sørges for korrekt jordledning, således at der ved evt. lækage kan dannes jordsløjfe, og elektrisk stød dermed undgås.

Mikrobølgeovnens låge skal være lukket under betjeningen.

Mikrobølgeovnen må ikke placeres i et skab. Mikrobølgeovnen er beregnet til at være fritstående.

Ved første brug kan der forekomme en vis lugt. Dette er fuldstændig normalt og forsvinder efter få ganges brug af mikrobølgeovnen.

## RENGØRING

### VEDLIGEHOLDELSE AF DIN MIKROBØLGEOVN

#### **FORSIGTIG**

Ovnen bør rengøres regelmæssigt, og alle madrester fjernes. Ovnen bliver varm under brugen.

#### **ADVARSEL**

1. Tag stikket ud af stikkontakten inden rengøring. Nedsenk ikke apparatet i vand eller anden væske under rengøringen.

Tør ovnens inder- og ydersider af med en blød, fugtet klud.

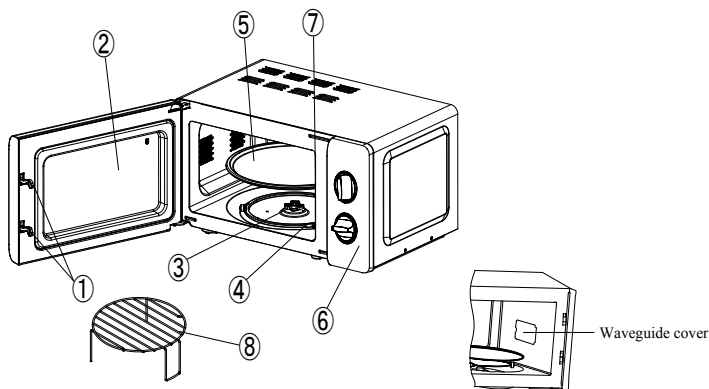
Hvis der hænger lugt ved indersiden af ovnen, skal du stille en kop vand med citronskiver i i ovnen og give den 1 minut ved fuld effekt (pas på, vandet/glasset bliver varmt).

## Drejetallerken/ Drejering/ Drejeaksel:

Vaskes i mildt sæbevand.

Skylles med rent vand og tørres grundigt.

### OVERSIGT OVER PRODUKTET



#### 1) Dørlås

Mikrobølgeovnens låge skal lukkes korrekt, før ovnen kan fungere.

#### 2) Ovnvindue

Gør det muligt at holde øje med madvarerne.

#### 3) Drejeaksel

Glastallerkenen placeres ovenpå akslen. Motoren nedeunder driver drejetallerkenen rundt.

#### 4) Drejering

Glastallerkenen kører på hjul. Hjulene understøtter tallerkenen og hjælper den med at holde balancen, mens den roterer.

#### 5) Drejetallerken

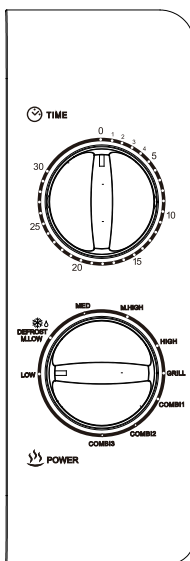
Madvarerne placeres på drejetallerkenen.

6) Kontrolpanel – til justering af tid og mikrobølgeeffekt.

7) Bølgeleder dæksel – dette må ALDRIG fjernes.

8) Grillrist – bruges til madvarer, der skal steges.

## BETJENING MED KONTROLPANELET



### 1) Timer

- Den maksimale tilberedningstid, der kan indstilles, er 30 minutter.
- Der indstilles i intervaller à 1 minut.
- En klokke ringer, når timeren udløber og vender tilbage til nul.

### 2) Funktion/Strømknop

Du kan vælge mellem 5 mikrobølge effekttrin:

High (høj)	100 % effekt	(Lyntilberedning)
M.High (middelhøj)	81 % effekt	(Normal tilberedning)
Med (medium)	58 % effekt	(Langsom tilberedning)
Defrost (optøning)	36 % effekt	(Optøning)
Low (lav)	18 % effekt	(Holde varm)

**Grill**-- kun varmelegemet afgiver energi. Der opnås en god bruning, der vil få dine tænder til at løbe i vand, men hvis madvarerne er tykke, kan det forekomme, at overfladen branes, mens madvarens indre stadig er rå. Funktionen er egnet til stegning af pølser, kyllingevinger, koteletter, kødskiver, sandwich osv.

**Kombination**-- magnetron og varmelegeme fungerer på hver sin måde. Alt efter madvarernes egenskaber kan du vælge at anvende en kombination af grill og mikrobølgeeffekt for at opnå det bedste resultat.

**Combi 1:** 30 % af driftstiden anvendes magnetronen, og 70 % af driftstiden anvendes varmelegemet. Dette er egnet til tilberedning af stegte koteletter, sandwich osv.

**Combi 2:** 49 % af driftstiden anvendes magnetronen, og 51 % af driftstiden anvendes varmelegemet. Dette er egnet til tilberedning af små kyllingestykker og kød.

**Combi 3:** 67 % af driftstiden anvendes magnetronen, og 33 % af driftstiden anvendes varmelegemet. Dette er egnet til tilberedning af store kyllingestykker, and osv.

## BETJENING

- 1) Tilslut netledningen.
  - Inden du tilslutter netledningen, skal du sikre dig, at timeren står på "0".
  - Blokér ikke ventilationsåbningerne.
- 2) Placér madvarerne på glasdrejetallerkenen, og luk lågen. Maden skal være i en beholder.
- 3) Vælg det ønskede effektrin.
- 4) Indstil timeren.
  - Hvis det ønskede tidsrum er under 10 minutter, skal du dreje timerknappen forbi 10-minuttersmærket og dernæst dreje

den tilbage til den ønskede indstilling.

- 5) Når det ønskede tidsrum er valgt, begynder tilberedningen. Hvis der er behov for en pause, kan du når som helst åbne ovnlågen og lukke igen, når du vil fortsætte tilberedningen.
- 6) Når tiden er gået, og tilberedningen er færdig, afgiver mikrobølgeovnen en ringetone, og lampen i ovnen slukker automatisk.

- Hvis madvarerne fjernes, før tiden er gået, skal du sørge for at stille timeren tilbage på "0". Derved undgår du, at mikrobølgeovnen kører tom.

- Det anbefales at benytte handsker, når du tager den tilberedte mad ud af ovnen.

**Advarsel.** Brug aldrig metal inde i mikrobølgeovnen.

Hvis mikrobølgeovnen ikke fungerer korrekt, skal du kontakte dit nærmeste servicecenter eller den butik, hvor du købte ovnen. Forsøg aldrig selv at reparere den.

ALLE RETTIGHEDER RESERVERET, COPYRIGHT DENVER  
ELECTRONICS A/S

DENVER®

[www.denver-electronics.com](http://www.denver-electronics.com)



Elektrisk og elektronisk udstyr indeholder materialer, komponenter og stoffer, der kan være skadelige for menneskers sundhed og for miljøet, hvis affaldet (kasseret elektrisk og elektronisk udstyr) ikke håndteres korrekt.

Elektrisk og elektronisk udstyr er mærket med nedenstående overkrydsede skraldespand. Den symboliserer, at elektrisk og elektronisk udstyr ikke må bortskaffes sammen med usorteret husholdningsaffald, men skal indsamles særskilt.

Alle kommuner har etableret indsamlingsordninger, hvor kasseret elektrisk og elektronisk udstyr gratis kan afleveres af borgerne på genbrugsstationer og andre indsamlingssteder eller bliver afhentet direkte fra husholdningerne. Nærmere information kan fås hos kommunens tekniske forvaltning.

Importør:  
DENVER ELECTRONICS A/S  
Omega 5A, Soefte  
DK-8382 Hinnerup  
Danmark  
[facebook.com/denverelectronics](https://www.facebook.com/denverelectronics)

