

DENVER[®] ELECTRONICS

Instruction manual

PORTABLE CD PLAYER WITH FM RADIO

DENVER TCU-210





BEFORE OPERATING THIS PRODUCT, READ, UNDERSTAND AND FOLLOW THESE INSTRUCTIONS.

Be sure to save this booklet for future reference.

www.denver-electronics.com
www.facebook.com/denverelectronics

Important Safety Instructions

1. **WARNING** : Please refer the information on exterior bottom enclosure for electrical and safety information before installing or operating the apparatus.
2. **WARNING** : To reduce the risk of fire or electric shock, do not expose this apparatus to rain or moisture. The apparatus shall not be exposed to dripping or splashing and that no objects filled with liquids, such as vases, shall be placed on apparatus.
3. **WARNING**: The battery (battery or batteries or battery pack) shall not be exposed to excessive heat such as sunshine, fire or the like.
4. **WARNING**: The mains plug is used as disconnect device, the disconnect device shall remain readily operable.
5.  Invisible laser radiation when open and interlocks defeated. Avoid exposure to beam of laser.
6.  Correct Disposal of this product. This marking indicates that this product should not be disposed with other household wastes throughout the EU.
7. No naked flame sources, such as lighted candles, should be placed on the apparatus.
8. Attention should be drawn to environmental aspects of battery disposal.
9. Use of the apparatus in moderate climates.
10. The rating and marking information are located at the bottom of the unit.

CAUTION

Danger of explosion if battery is incorrectly replaced.
Replace only with the same or equivalent type



CLASS 1 LASER PRODUCT LABEL -

This label is attached to the place as illustrated to inform that the apparatus contains a laser component.



TO PREVENT FIRE OR SHOCK HAZARD DO NOT EXPOSE THIS APPLIANCE TO RAIN OR MOISTURE.



The exclamation point within an equilateral triangle is intended to alert the user to the presence of important operating and maintenance (servicing) instructions in the literature accompanying the appliance.



The lightning flash with arrowhead symbol, within an equilateral triangle, is intended to alert the user to the presence of uninsulated "dangerous voltage" within the product's enclosure that may be of sufficient magnitude to constitute a risk of electric shock to persons.



This symbol indicates that this product incorporates double insulation between hazardous mains voltage and user accessible parts.

**WARNING: DO NOT INGEST BATTERY,
CHEMICAL BURN HAZARD.**

WARNING LABEL INFORMING OF RADIATION -

This label is placed inside the unit. As shown in the illustration. To warn against further measures on the unit. The equipment contains a laser radiating laser rays according to the limit of laser product of class 1.

1. **READ INSTRUCTIONS** - All the safety and operating instructions should be read before the appliance is operated.
2. **RETAIN INSTRUCTIONS** - The safety and operating instruction should be retained for future reference.
3. **HEED WARNINGS** - All warnings on the appliance and in the operating instructions should be adhered to.
4. **FOLLOW INSTRUCTIONS** - All operating instructions should be followed.
5. **WATER AND MOISTURE** - The appliance should not be used near water, for example, near a bathtub, washbowl, Kitchen sink, landrytub, swimming pool or in a wet basement
6. **VENTILATION** - The appliance should be situated so that its location or position does not interfere with its proper ventilation. Do not place on bed, sofa, rug or similar surface that may block the ventilation openings, in a built-in installation, such as a bookcase or cabinet that may impede the flow of air through the ventilation openings.
7. **HEAT** - The appliance should be situated away from heat sources such as radiators, stoves, or other appliances (including amplifiers) that produce heat.
8. **POWER SOURCE** - The appliance should be connected to power supply only of the type described in the operating instructions or as marked on the appliance.
9. **POWER CORD PROTECTION** - Power supply cords should be routed so that they are not likely to be walked on or pinched by items placed upon or against them.
10. **OBJECT and LIQUID ENTRY** - Care should be taken so that objects do not fall and liquids are not spilled into the enclosure through openings.
11. **ESD WARNING** - The display does not function properly or no reaction to operation of any the control may due to the electrostatic discharge. Switch off and unplug the set. Reconnect after a few seconds.
12. **DAMAGE REQUIRING SERVICE** - The appliance should be serviced by qualified service personnel when:
 - a. The power-supply cord or plug has been damaged.
 - b. Objects have fallen into, or liquid has been spilled into the appliance enclosure.
 - c. The appliance has been exposed to rain.
 - d. The appliance has been dropped, or the enclosure damaged.
 - e. The appliance does not appear to operate normally.
13. **SERVICING** - The user should not attempt to service the appliance beyond that described in the user operating instructions. All other servicing should be referred to qualified service personnel.

Notes:

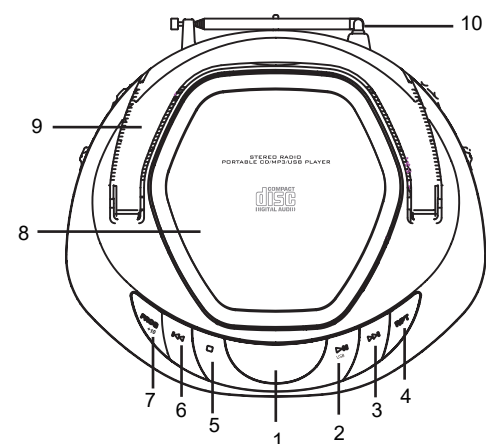
- a. Dirty or scratched CD may cause a skipping problem. Clean or replace the CD.
- b. If an error display or malfunction occurs, disconnect the AC cord and remove all the batteries. Then turn the power back on.

BEFORE OPERATION

Notes: CONCERNING COMPACT DISCS.

Since dirty, damaged or warped discs may damage the appliance, care should be taken of the followings items:

- a. Usable compact discs. Use only compact disc with the mark shown below.
- b. CD compact disc only with digital audio signals.

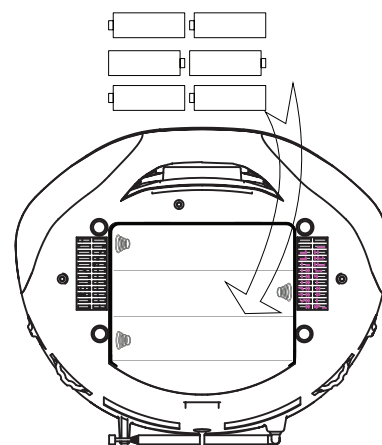
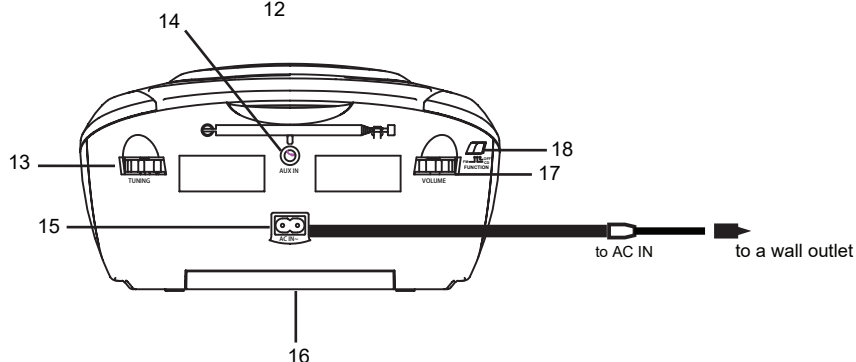
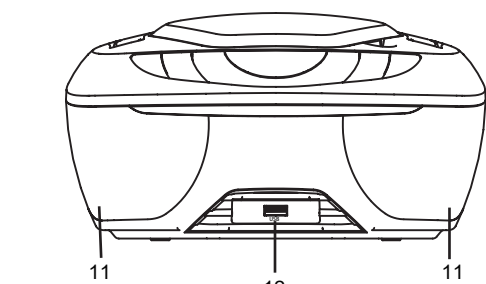


LOCATION OF CONTROLS

1. Display
2. Play/Pause/USB
3. Skip+
4. Repeat One/All
5. Stop
6. Skip-
7. Program +10
8. CD Door
9. Handle
10. Antenna
11. Speaker Grill
12. USB Port
13. Tuning
14. Aux In
15. AC In
16. Battery Door
17. Volume
18. Function (Off/CD/FM)

INCLUDES

AC Power Cord



POWER

To power the device, plug the AC power cord into the AC power input on the rear of the unit and a standard power outlet.

For batter power, this unit requires 6 x C size batteries (Not included).

FM RADIO

Put the "Function" switch to FM mode

Adjust the frequency by "Tuning" knob to select the station.

*If the signal is weak or distortion, try to adjust the angle and length of the antenna to improve the reception

CD or CD/MP3

Put the "Function" switch to CD mode

Put CD into the CD door insides

Auto CD reading & Auto CD playing from first track

Press "Play/Pause/USB" button to pause playback temporarily (Display blinking)

Press "Stop" button to stop playback

Press & Hold "Skip+/-" button to skip the next or previous tracks & search the point of sound quickly

USB/MP3

Put the "Function" switch to CD mode

Press and Hold "Play/Pause/USB" button seconds to change to USB mode

Insert the USB memory into the USB port

Auto USB reading & Auto USB playing from first track

Press "Play/Pause/USB" button to pause playback temporarily (Display blinking)

Press "Stop" button to stop playback

Press & Hold "Skip+/-" button to skip the next or previous tracks & search the point of sound quickly

Press "Prog +10" button to skip the tracks from 10 to 10

*Connect the USB memory when playing is CD music, press and hold "Play/Pause/USB" button seconds to USB mode

AUX

Put the "Function" switch to CD mode

Use 3.5mm jack Aux In cable to connect the Aux in jack and external audio player

Control the music from the external audio player (Volume adjustment by the device)

*CD function will be cancelled when connecting the Aux In cable

REPEAT (CD or CD/MP3 or USB/MP3 mode)

Press "Repeat One/All" Button once = Repeat one track

Press "Repeat One/All" Button twice = Repeat all track

PROGRAMMED (CD or CD/MP3 or USB/MP3 mode)

CD = max 20 tracks

CD/MP3, USB/MP3 = max 99 tracks

Press "Prog +10" button (Sure to press "Stop" button before)

P01 will appear blinking in the display, press "Skip+" or "Skip-" to select the track

Press "Prog +10" button again to save the selected track

Press "Play/Pause/USB" button to play the programmed track list

Press "Stop" button twice to cancel the programmed track list

*Repeat function is available for programmed track list

ENERGY SAVING

For Energy saving, system will return to the standby mode automatically if unit have stopped operating in CD or USB modes for 10 minutes approximately.

ALL RIGHTS RESERVED, COPYRIGHT DENVER ELECTRONICS A/S

DENVER®

www.denver-electronics.com



Electric and electronic equipment contains materials, components and substances that can be hazardous to your health and the environment, if the waste material (discarded electric and electronic equipment) is not handled correctly.

Electric and electronic equipment is marked with the crossed out trash can symbol, seen below. This symbol signifies that electric and electronic equipment should not be disposed of with other household waste, but should be disposed of separately.

All cities have established collection points, where electric and electronic equipment can either be submitted free of charge at recycling stations and other collection sites, or be collected from the households. Additional information is available at the technical department of your city.

Imported by:

DENVER ELECTRONICS A/S

Omega 5A, Soefte

DK-8382 Hinnerup

Denmark

www.facebook.com/denverelectronics