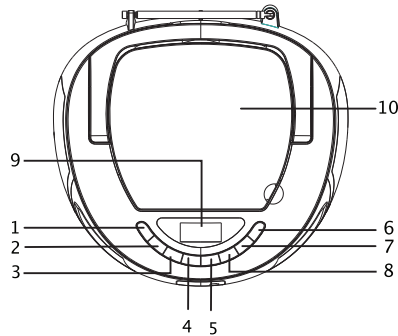


# DENVER®

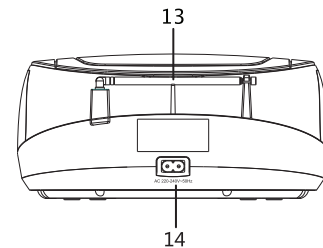
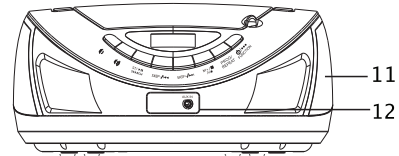
## INSTRUCTION MANUAL TC-27

www.denver-electronics.com

### LOCATION OF CONTROL



Power Requirement: AC100-240V~60/50Hz  
 Power Consumption: In Use(Max): 10W/ HOUR  
 In Standby/Off: <0.5W/ HOUR



### GB LOCATION OF CONTROL

- |                          |                      |
|--------------------------|----------------------|
| 1.VOLUME-                | 8.M+/M-/STOP         |
| 2.VOLUME+                | 9.LCD DISPLAY        |
| 3.PLAY/PAUSE/            | 10.CD DOOR           |
| 4.SKIP-                  | 11.SPEAKER           |
| 5.SKIP+                  | 12.AUX IN JACK       |
| 6.STANDBY/FUNCTION/POWER | 13.TELESOPIC ANTENNA |
| 7.PROG/REPEAT            | 14.AC POWER JACK     |

### GENERAL OPERATION

1. At standby mode, press the "STANDBY/FUNCTION" button to switch on the unit.
2. Press the "STANDBY/FUNCTION" button once to switch other mode. (FM/CD/AUX-IN.)
3. Press and hold the "STANDBY/FUNCTION" button for 2 seconds to switch off the unit in all mode.
4. Press the "VOL+" or "VOL-" button to adjust volume level.

### CD OPERATION PROGRAM

Up to 20 tracks can be programmed for disc play in any order.

Be sure to press the "STOP" button before use.

1. Press the PROG button, the display will show "P01".
2. Select desire track by pressing SKIP+ or SKIP-.
3. Press PROG button again to confirm.
4. Repeat step 2 & 3 to enter the tracks into program memory.
5. When all desired tracks have been programmed. Press PLAY/PAUSE button play the program.
6. Press the STOP button twice to terminate the program.

### REPEAT

Press the REPEAT button during playing CD disc, each press switches the REPEAT function as follows:

- 1 - REPEAT 1
- 2 - REPEAT ALL
- 3 - RANDOM
- 4 - NORMAL PLAYBACK

ALL RIGHTS RESERVED, COPYRIGHT DENVER ELECTRONICS A/S

DENVER®

www.denver-electronics.com



Electric and electronic equipment contains materials, components and substances that can be hazardous to your health and the environment, if the waste material (discarded electric and electronic equipment) is not handled correctly.

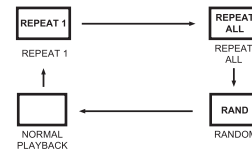
Electric and electronic equipment is marked with the crossed out trash can symbol, seen below. This symbol signifies that electric and electronic equipment should not be disposed of with other household waste, but should be disposed of separately.

All cities have established collection points, where electric and electronic equipment can either be submitted free of charge at recycling stations and other collection sites, or be collected from the households. Additional information is available at the technical department of your city.

Hereby, Inter Sales A/S declares that the radio equipment type TC-27 is in compliance with Directive 2014/53/EU. The full text of the EU declaration of conformity is available at the following internet address: <http://www.denver-electronics.com/denver-tc-27/>

Imported by:  
 DENVER ELECTRONICS A/S  
 Omega 5A  
 Soefften  
 DK-8382 Hinnerup  
 Denmark  
[www.facebook.com/denverelectronics](http://www.facebook.com/denverelectronics)

Operating Frequency Range: FM87.5-108.5 MHz  
 Max Output Power: 10W/Hour



www.facebook.com/denverelectronics