

HDD1400 High Speed Hair Dryer

10/24/2024



Thank you for buying your new Denver® product. Please read these instructions carefully and keep them safe. Remove all packaging before use.
WARNING: This appliance is hot. Keep out of reach of children at all times.

IMPORTANT SAFEGUARDS

• This appliance can be used by children aged from 8 years and above and persons with reduced physical, sensory or mental capabilities or lack of experience and knowledge if they have been supervised/instructed and understand the hazards involved. Children shall not play with the appliance. Cleaning and user maintenance shall not be done by children unless they are older than 8 and supervised. Keep the appliance and cable out of reach of children under 8 years.

Do not use this appliance near bathtubs, showers, basins or other vessels containing water.

- When the appliance is used in a bathroom, unplug it after use since the proximity of water presents a hazard even when the appliance is switched off.
- For additional protection, the installation of a residual current device (RCD) having a rated residual operating current not exceeding 30 mA is advisable in the electrical circuit supplying the bathroom.
- Currently, the fitting in a bathroom of an electrical socket suitable or capable of operating the appliance is not permitted in the UK (see BS7671).

ENG - 1

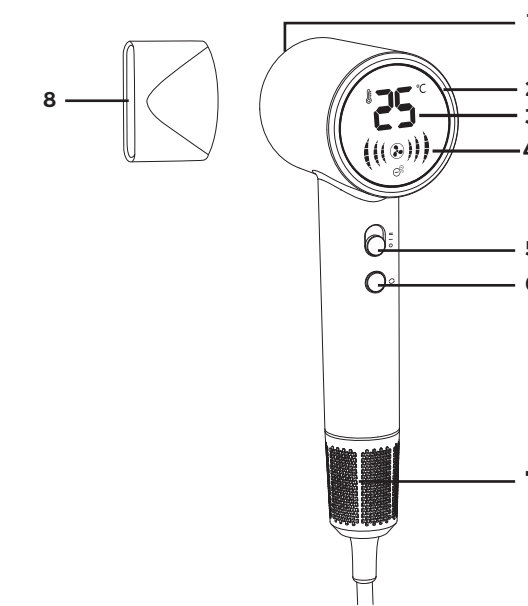
- If the supply cord of this unit becomes damaged, discontinue use immediately and return the appliance to your nearest authorised Denver® service dealer for repair or replacement in order to avoid a hazard.
- Always ensure the voltage to be used corresponds to the voltage stated on the unit before plugging the appliance into the mains socket.
- Keep direct airflow away from eyes or other sensitive areas.
- Do not allow any part of the appliance touch the face, neck or scalp.
- During use, always ensure the inlet and outlet grilles are not blocked in any way as this will cause the unit to automatically stop. If this should occur, switch off and allow the unit to cool.
- Keep the power plug and cord away from heated surfaces.
- Do not leave the appliance unattended while plugged in.
- Do not place the appliance on any soft furnishings.
- Do not use attachments other than those we supply.
- Do not set the appliance down while still on.
- Do not twist or kink the cable, or wrap it round the appliance.
- Do not use the appliance if it is damaged or malfunctions.
- Check the cord regularly for any sign damage.
- This appliance is not intended for commercial or salon use.

Essential Parameter:

Product name: High-speed hair dryer
Product model number: HDD1400
Motor Type : Brushless
Rated voltage: AC 220V-240V
Rated frequency: 50 Hz / 60 Hz
Rated power: 1400 W± 4%
Product weight: 500g±10 (with 1.8M cable included)

ENG - 2

PARTS



1. Outlet
2. Indicator Light
3. LED temperature display
4. Wind speed display
5. Wind speed switch
6. Temperature button
7. Removable Intake air filter
8. Air Nozzle

ENG - 3

INSTRUCTIONS FOR USE

- Wash and condition your hair as normal.
- Squeeze out excess moisture with a towel and comb through.
- Hairsprays contain flammable material - do not use while using this product.
- Fit magnetic air nozzle by aiming it at the air outlet of the hair dryer body and easily attached, and it can be rotated at will for easy use.
- For fast drying use the high heat / high speed setting.
- To create smooth styles use the Air Nozzle whilst drying.

1. Plug the product into the mains power supply.
2. Switch your hair dryer on and select the desired speed setting (low or high) using the speed selector switch.
3. Select the desired heat setting (low, medium,high or cycle mode) using the heat selector switch.
4. After use, turn the appliance off and unplug it.

OVERHEAT PROTECTION

In the event of overheating, the appliance may either stop unexpectedly or start to blow cold air. Overheating is usually caused by a blocked grille/filter. If this happens, immediately unplug the appliance and refer to STORAGE, CLEANING AND MAINTENANCE to clean the grille/filter. If, after doing this overheating continues to happen, stop using the appliance and contact Customer Service.

ENG - 4

STORAGE, CLEANING AND MAINTENANCE

Let the appliance cool down before cleaning and storing away

- To maintain peak product performance and to prolong motor life, it is important to regularly remove any dust and dirt from the inlet grille.
- The filter screen needs to be cleaned and maintained regularly to avoid debris blockage to ensure smooth air intake
- Before cleaning the filter screen, ensure that the blower is turned off and unplug the power supply.
- Do not clean the stainless steel filter screen with water to avoid failure caused by water intake.
- Remove the stainless steel surface with a dry dust-clean Buch toothbrush.



ENG - 5

Please notice - All products are subject to change without any notice. We take reservations for errors and omissions in the manual.

ALL RIGHTS RESERVED, COPYRIGHT DENVER A/S



Electric and electronic equipment contains materials, components and substances that can be hazardous to your health and the environment, if the waste material (discarded electric and electronic equipment) is not handled correctly.

Electric and electronic equipment is marked with the crossed out trash can symbol, seen above. This symbol signifies that electric and electronic equipment should not be disposed of with other household waste, but should be disposed of separately.

All cities have established collection points, where electric and electronic equipment can either be submitted free of charge at recycling stations and other collection sites, or be collected from the households. Additional information is available at the technical department of your city.

DENVER A/S
Omega 5A, Soeften
DK-8382 Hinnerup
Denmark
www.facebook.com/denver.eu

ENG - 6

Contact

Main contact point: contact.hq@denver.eu

Nordics

Headquarter
Denver A/S
Omega 5A, Soeften
DK-8382 Hinnerup
Denmark

Phone: +45 86 22 61 00
(Push "1" for support)

E-Mail
For technical questions, please write to:
support.hq@denver.eu

For all other questions please write to:
contact.hq@denver.eu

Benelux

DENVER BENELUX B.V.
Barnevoutwaarder 13C-D
3449 HE Woerden
The Netherlands

Phone: 0900-3437623
E-Mail: support.nl@denver.eu

Spain/Portugal

DENVER SPAIN SA
Ronda Augustess y Louis Lumiere, nº 23 - nave 16
Parque Tecnológico
46980 PATERNA
Valencia (Spain)

Spain
Phone: +34 960 046 883
Mail: support.es@denver.eu

Portugal:
Phone: +35 1255 240 294
E-Mail: denver.service@safiel.com

Germany

Denver Germany GmbH Service
Max-Emanuel-Str. 4
94036 Passau

Phone: +49 851 379 369 40

E-Mail
support.de@denver.eu

Fairfix GmbH
Repair and service
Rudolf-Diesel-Str. 3 TOR 2
53859 Niederkassel

(for TV, E-Mobility/Hoverboards/Balanceboards, Smartphones & Tablets)

Phone: +49 851 379 369 69
E-Mail: denver@fairfix.de

Austria

Lurt Premium Service GmbH
Deutschrassse 1
1230 Wien

Phone: +43 1 904 3085
E-Mail: denver@lurtservice.at

Poland

LetMeRepair Poland sp. z o.o.
ul. Ciepłochowska 140
62-800 Kalisz

Phone: 62 75 38 092
E-Mail: denver-service@letmerepair.pl

Godziny pracy: 8 - 18 (poniedziałek - piątek)

If your country is not listed above, please write an email to contact.hq@denver.eu



Denver A/S
Omega 5A, Soeften
DK-8382 Hinnerup
Denmark

denver.eu
facebook.com/denver.eu

