

# CD Boombox TCL-212BT



ENG

## INSTRUCTION MANUAL



FR

Cet appareil et  
ses cordons sont  
recyclables

À DÉPOSER  
EN MAGASIN



OU

À DÉPOSER  
EN DÉCHÈTERIE



Points de collecte sur [www.quefairedemesdechets.fr](http://www.quefairedemesdechets.fr)  
Privilégiez la réparation ou le don de votre appareil !

## Safety information

Please read the safety instructions carefully before using the product for the first time and keep the instructions for future reference.



This symbol, located on the back or bottom of the unit, is intended to alert the user to the presence of uninsulated “dangerous voltage” within the product’s enclosure that may constitute a risk of electric shock to persons.

CAUTION: TO PREVENT ELECTRIC SHOCK, ENSURE TO INSERT 2 PIN PLUG CORRECTLY INTO THE MATCHING SOCKET OR ADAPTOR.

To reduce the risk of electric shock, do not remove cover (or back). There are no user-serviceable parts inside. Please refer any servicing to qualified service personnel.



This symbol, located on the back or bottom of the unit is intended to alert the user to the presence of important operating and maintenance (servicing) instructions in the literature accompanying the appliance.



This product utilizes a Class 1 laser to read Compact Discs. **This laser Compact Disc Player is equipped with safety switches to avoid exposure when the CD door is opened and the CD player’s lid is damaged. Invisible laser radiation is present when the CD player is open and the system’s interlock has failed or has been damaged. It is very important that you avoid direct exposure to the laser beam at all times. Please do not attempt to damage or bypass the safety switches.**

1. This product is not a toy. Keep it out of reach of children.
2. Keep product out of the reach of children and pets to avoid chewing and swallowing.
3. Never use old and new batteries or different types of batteries together. Remove the batteries when you are not using the system for a longer period of time. Check the polarity (+/-) of the batteries when inserting them in the product. Wrong positioning can cause an explosion. Batteries are not included.
4. Product operating and storage temperature is from 0 degree Celsius to 40 degree Celsius. Under and over this temperature might affect the function.
5. Never open the product: the device may contain parts with deadly voltage
6. Repairs or service should only be performed by qualified personnel
7. Please make sure there is space around the power outlet for easy access.
8. Do not expose to heat, water, moisture, direct sunlight!
9. This lightning flash with arrowhead symbol within an equilateral triangle is intended to alert the user to the presence of non-insulated “dangerous voltage” within the product’s enclosure that may be of sufficient magnitude to constitute a risk of electric shock. To reduce the risk of electric shock, do not remove cover (or back) as there are no user-serviceable parts inside. Refer servicing to qualified personnel.

# Warnings and Precautions



This symbol, located on the back or bottom of the unit, is intended to alert the user to the presence of uninsulated “dangerous voltage” within the Product’s enclosure that may constitute a risk of electric shock to persons.

CAUTION: TO PREVENT ELECTRIC SHOCK, ENSURE TO INSERT 2 PIN PLUG CORRECTLY INTO THE MATCHING SOCKET OR ADAPTOR.

To reduce the risk of electric shock, do not remove cover (or back). There are no user-serviceable parts inside. Please refer any servicing to qualified service personnel.

WARNING: Changes or modifications to this unit not approved by the party responsible for compliance could void the user’s authority to operate the equipment.

WARNING: To prevent fire or shock hazards, do not expose this unit to rain or moisture.

CAUTION: Danger of explosion if battery is incorrectly replaced, Replace only with the same or equivalent type.

Do not mix old and new batteries.  
Do not mix alkaline, standard (carbon-zinc), or rechargeable (ni-cad, ni-mh, etc) batteries.

NOTE: This equipment has been tested and found to comply with the limits for a class B digital device, pursuant to part 15 of the FCC Rules. **These limits are designed to provide reasonable protection against harmful interference in a residential installation. This equipment generates, uses, and can radio frequency energy and, if not installed and used in accordance with the instructions, may cause harmful interference to radio communications. However, there is no guarantee that interference will not occur in a particular installation. If this equipment does cause harmful interference to radio or television reception, which can be determined by turning the equipment off and on, the user is encouraged to try to correct the interference by one or more of the following measures:**

- Re-position or relocate the receiving antenna.
- Increase the separation between the equipment and receiver.
- Connect the equipment into an outlet on a circuit different from that to which the receiver is connected.
- Consult the dealer or an experienced radio/TV technician for help.



This symbol, located on the back or bottom of the unit, is intended to alert the user to the presence of important operating and maintenance (servicing) instructions in the literature Accompanying the appliance.



This product utilizes a Class 1 laser to read Compact Discs. **This laser Compact Disc Player is equipped with safety switches to avoid exposure when the CD door is opened and the CD player’s lid is damaged. Invisible laser radiation is present when the CD player is open and the system’s interlock has failed or has been damaged. It is very important that you avoid direct exposure to the laser beam at all times. Please do not attempt to damage or bypass the safety switches.**

# Functional overview

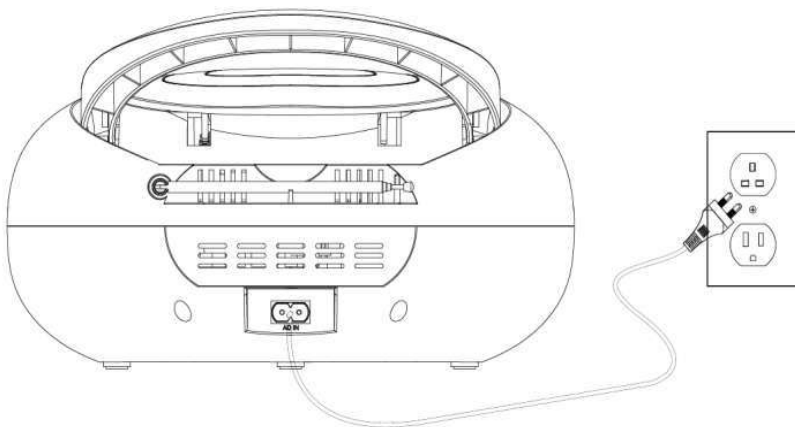
- CD player: CD, CD-R/RW
- FM radio
- Auxiliary input
- LED display
- Built-in speakers
- AC power: detachable AC cord
- DC power: requires 4 C batteries, not included

## Powering the Unit

---

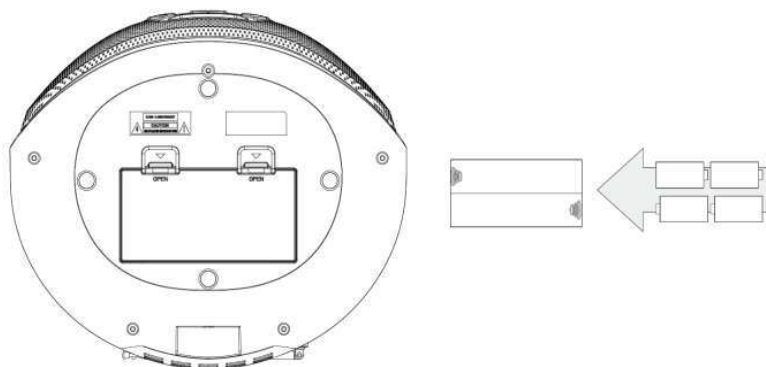
### **AC Power**

Plug the detachable AC cord into a standard AC outlet (100-240V~ 50/60Hz)



### **Battery Power**

Requires 4 C batteries, not included.



## Tuning the FM Radio

---

**Step 1:** Adjust the **EQ/MODE** to *FM mode*.

- Extend the FM antenna to improve FM radio reception.*

**Step 2:** Short press **PREV** or **NEXT** to jump to the previous or next available station.

## Playing a CD

---

**Step 1:** Open the CD door, and place a CD or CD-R/RW Into the player

**Step 2:** Adjust the **EQ/MODE** to *CD mode*.

**Step 3:** Press the **Play/Pause** Button to begin playing the loaded CD.

## Using the Auxiliary Input

Audio Source	Required Connector
MP3 Player	mini-phone 3.5mm Cable (not included)

**Step 1:** Connect a *mini-phone 3.5mm Cable* (not included) to the **Auxiliary Input** on the unit and the audio output on an MP3 player.

**Step 2:** Adjust the **Function** to *AUX IN mode*.

- *Audio played through the connected MP3 player will now be heard through the unit.*

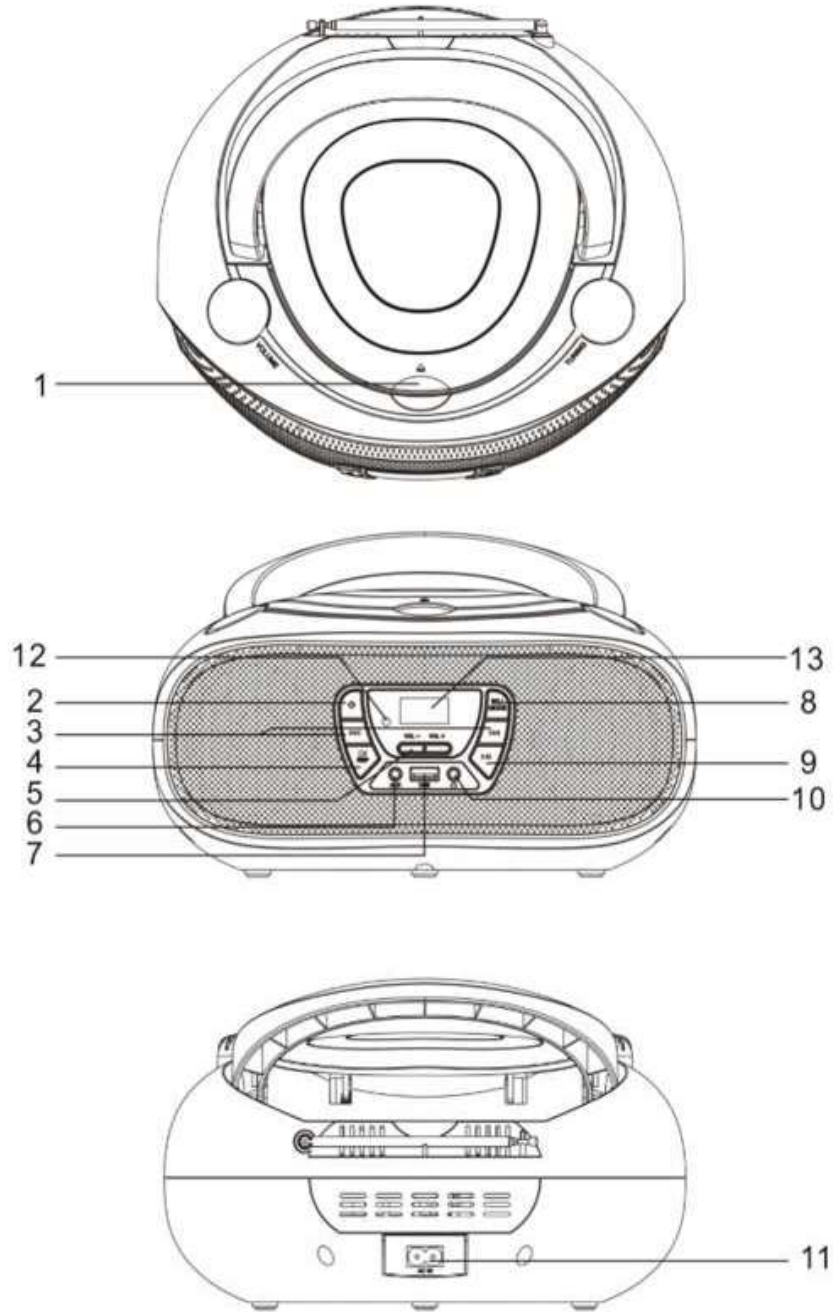
## Bluetooth

---

1. Press **EQ/MODE** on the unit to select Bluetooth mode.
2. Turn Bluetooth on on your mobile phone and search for **TCL-212BT**
3. You will hear a small sound indicating that the pairing has been successful.
4. You can now play music from your mobile phone via the unit.

# Locations of Controls

---



# Control Definitions

## **1. OPEN/CLOSE**

Open/close the CD door

---

## **2. POWER**

Standby mode, short press for turn on unit ,and short press again for unitturning off.  
The unit default at FM when first turn on.

---

## **3. PREV/TUN-/NEXT/TUN+**

In FM mode: One short press ,The frequency move towards or backwards. Long press Frequency scan FM station towards or backwards.

In CD/USB Mode: One short press is for Pre or next program;Long press is for Fast backwards and towards.

In BT mode: The back (PREV) and forward (NEXT) buttons have the same function as in the CD/USB mode. They are used to switch

In AUX Mode:This keys no function ;

---

## **4. STOP/REP/MEM**

In FM mode:one time short press is for memorized frequency ,maximum can memorize 30 frequency.

In CD/USB Mode: in play mode,one time press for one music repeat ,press again for all program repeat ,one time short press delete this function and long press seconds stop play. In AUX/BT mode:The key no function .

---

## **5. VOL+/VOL-**

Short press one for Volume up or down one step ,Long press for Volume up and down continues .Maximum Volume is 32 .

---

## **6. AUX**

Use the Auxiliary input to connect an external audio source (MP3 player) to the unit.

---

## **7. USB**

Press the Mode key on the unit to select USB mode and plug in an USB.

---

## **8. EQ/MODE**

Long press **EQ/MODE**key for FLAT/CLASS/JAZZ/ROCK/POP mutual change ;

In working mode :short press for Radio/CD/USB/AUX/BT mutual change .

---

## **9. PLAY/PAUSE/P+/SCAN**

In FM mode:one time short press for sourcing frequency which memory; long press for 2 seconds for auto scan FM frequency .

In CD/USB/BT mode :first short press for Pause ,short press again for play ;  
In AUX mode :The key no function

## 10. PHONES

---

### 11.AC Power Input

Use the AC Power input to connect the unit to an AC power source.ource.

12. LED indicator

13. LED display

REMARK :The speaker LED lights can be off or on manually by long press power button when unit working

---

### Technical Specifications:

Input voltage: AC 100-240V~ 50/60Hz

Max output power:2x20W/ 2x2W RMS

FM:87.5-108MHz

Machine size:L261\*W226\*H132mm

Battery: 4 x 'C' size batteries (not included)

ALL RIGHTS RESERVED, COPYRIGHT DENVER A/S



denver. eu



Electric and electronic equipment contains materials, components and substances that can be hazardous to your health and the environment, if the waste material (discarded electric and electronic equipment and batteries) is not handled correctly.

Electric and electronic equipment is marked with the crossed out trash can symbol, seen below. This symbol signifies that electric and electronic equipment and batteries should not be disposed of with other household waste, but should be disposed of separately.

All cities have established collection points, where electric and electronic equipment and batteries can either be submitted free of charge at recycling stations and other collection sites, or be collected from the households. Additional information is available at the technical department of your city.

Hereby, Denver A/S declares that the radio equipment type TCL-212BT is in compliance with Directive 2014/53/EU. The full text of the EU declaration of conformity is available at the following internet address: [denver.eu](http://denver.eu) and then click the search ICON on topline of website.

[Write modelnumber: TCL-212BT](#) Now enter product page, and red

directive is found under downloads/other downloads

Operating Frequency Range:87.5-108MHz

Bluetooth frequency :2402-2480MHz

Max Output Power: 2x20W/2x2W RMS

Denver A/S

Omega 5A, Soefte

DK-8382 Hinnerup

Denmark

[facebook.com/denver.eu](https://www.facebook.com/denver.eu)

# Contact

**Main contact point: [contact.hq@denver.eu](mailto:contact.hq@denver.eu)**

## Nordics

### Headquarter

Denver A/S  
Omega 5A, Soeften  
DK-8382 Hinnerup  
Denmark

Phone: **+45 86 22 61 00**  
(Push "1" for support)

E-Mail  
For technical questions, please write to:  
**[support.hq@denver.eu](mailto:support.hq@denver.eu)**

For all other questions please write to:  
**[contact.hq@denver.eu](mailto:contact.hq@denver.eu)**

---

## Benelux

### DENVER BENELUX B.V.

Barwoutswaarder 13C+D  
3449 HE Woerden  
The Netherlands

Phone: **0900-3437623**  
E-Mail: **[support.nl@denver.eu](mailto:support.nl@denver.eu)**

---

## Spain/Portugal

### DENVER SPAIN S.A

Ronda Augustes y Louis Lumiere, n° 23 – nave  
16  
Parque Tecnológico  
46980 PATERNA  
Valencia (Spain)

### Spain

Phone: **+34 960 046 883**  
Mail: **[support.es@denver.eu](mailto:support.es@denver.eu)**

### Portugal:

Phone: **+35 1255 240 294**  
E-Mail: **[denver.service@satfiel.com](mailto:denver.service@satfiel.com)**

---

## Germany

### Denver Germany GmbH Service

Max-Emanuel-Str. 4  
94036 Passau

Phone: **+49 851 379 369 40**

E-Mail  
**[support.de@denver.eu](mailto:support.de@denver.eu)**

### Fairfixx GmbH

Repair and service  
Rudolf-Diesel-Str. 3 TOR 2  
53859 Niederkassel

(for TV, E-Mobility/Hoverboards/Balanceboards,  
Smartphones & Tablets)

Phone: **+49 851 379 369 69**  
E-Mail: **[denver@fairfixx.de](mailto:denver@fairfixx.de)**

---

## Austria

Lurf Premium Service GmbH  
Deutschstrasse 1  
1230 Wien

Phone: **+43 1 904 3085**  
E-Mail: **[denver@lurfservice.at](mailto:denver@lurfservice.at)**

---

## Poland

### LetMeRepair Poland sp. z o.o.

ul. Częstochowska 140  
62-800 Kalisz

Phone: **62 75 38 092**  
E-Mail: **[denver-service@letmerepair.pl](mailto:denver-service@letmerepair.pl)**

Godziny pracy: 8 – 18 (poniedziałek – piątek)

---

If your country is not listed above,  
please write an email to  
[support@denver.eu](mailto:support@denver.eu)



Denver A/S  
Omega 5A, Soeften  
DK-8382 Hinnerup  
Denmark

[denver.eu](http://denver.eu)  
[facebook.com/denver.eu](https://facebook.com/denver.eu)

