



Instruction manual

BLUETOOTH SPEAKER BTV-130

BLUETOOTH
CONNECTION

MP3 PLAYER

USB/MICRO SD
CARD READER



<https://facebook.com/Denver.eu>



FR
Cet appareil et
ses accessoires
sont recyclables.

A DÉPOSER
EN MAGASIN



A DÉPOSER
EN DÉCHÈTRE



Points de collecte sur www.quefairedestdechets.fr
Privilégiez la réparation ou le don de votre appareil !

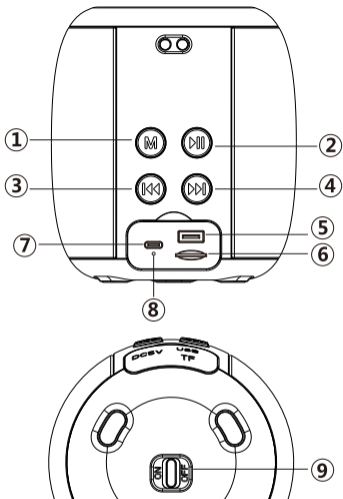
Safety information

Please read the safety instructions carefully before using the product for the first time and keep the instructions for future reference.

1. This product is not a toy. Keep it out of reach of children.
2. Warning: This product includes lithium polymer batteries.
3. Keep product out of the reach of children and pets to avoid chewing and swallowing.
4. Product operating and storage temperature is from 0 degree Celsius to 40 degree Celsius. Under and over this temperature might affect the function.
5. Never open the product. Touching the inside electrics can cause electric shock. Repairs or service should only be performed by qualified personnel.
6. Do not expose to heat, water, moisture, direct sunlight!
7. Please protect your ears against loud volume. Loud volume can damage your ears and risk in hearing loss.
8. Bluetooth wireless technology operates within a range of about 10 m (30 feet). The maximum communication distance may vary depending on the presence of obstacles (people, metal objects, walls, etc.) or the electromagnetic environment.
9. Microwaves emitting from a Bluetooth device may affect the operation of electronic medical devices.
10. The unit is not waterproof. If water or foreign objects enter the unit, it may result in fire or electric shock. If water or a foreign object enters the unit, stop use immediately.
11. Only charge with supplied USB cable.
12. Do not use non original accessories together with the product as this can make the product functionality abnormal.

Denver A/S reserve the rights for print errors

Denver A/S cannot be held responsible for any technical or typographical errors and reserves the right to make changes to the product and manuals without prior notice. If you detect any inaccuracies or omissions, please inform us at the address on the back cover.



CONTROLS

- | | |
|----------------------------------|-------------------------|
| 1. MODE button | 5. USB input |
| 2. Play/Pause button | 6. MicroSD memory input |
| 3. Volume-/Previous track button | 7. Type-C charging port |
| 4. Volume +/Next track button | 8. LED indicator |
| | 9. Power on/off |

CHARGING

The speaker must be recharged when switched off.

1. Using the supplied USB cable, connect the Type-C end of the USB cable to the Type-C port (7) of the speaker; connect the other end of the cable to the USB port of a PC or USB charger (5V, 1A, not included).
2. The LED indicator will light up red to indicate the charging status of the speaker; when fully charged, the LED indicator will turn off.

BASIC OPERATION

To turn on the speaker, slide the power button (9) to the ON position.

Press the MODE button (1) to choose from:

1. Bluetooth mode.
2. microSD mode: If a microSD memory card is inserted into the microSD port (6), the speaker will start playing music automatically.
3. USB Mode: If a USB stick is inserted into the USB port (5), the speaker will start playing songs automatically.

VOLUME ADJUSTMENT

Press and hold the Volume -(3) or Volume + (4) to decrease or increase the volume.

USING A MICROSD CARD/USB STICK

1. Turn on the speaker.
2. Insert a microSD card into the microSD port (6) or insert a USB stick into the USB port (5).
3. The speaker will start playing music automatically.
4. Press once the Volume-/Previous track button (3) button to skip to the previous track; press the Volume +/Next track button (4) to skip to the next track.
5. Press the button (2) to pause or resume the playback.

Bluetooth OPERATION PAIRING DEVICES

1. Place the speaker next to the Bluetooth device to be paired.
2. Turn on the speaker and press the MODE button (1) to enter the Bluetooth mode.

3. Follow the instructions of your device to search for the speaker.
4. The speaker name is "Denver BTV-130" and will be displayed on your Bluetooth device list, select it and enter the password "0000" if required.
5. When paired successfully, you can stream music from your Bluetooth device to the speaker.

Notes:

- The Bluetooth speaker only can connect to one Bluetooth device at a time, and the connection cannot be interrupted during operation.
- When the Bluetooth pairing fails, turn off Bluetooth on your Bluetooth device that you don't want to connect, restart the Bluetooth speaker and search for the Bluetooth device to be connected again.

COMMANDS IN Bluetooth MODE

1. Press once the Volume-/Previous Track button (3) button to skip to the previous track; press the Volume +/Next track button (4) to skip to the next track.
2. Press the button (2) to pause or resume the playback.
3. If you receive a call, press the button (2) to answer the call and activate the speaker's phone feature. To end the call, press and hold the button (2).

TRUE WIRELESS STEREO Bluetooth CONNECTION (TWS FUNCTION FOR TWO SPEAKERS)

1. Power on two speakers and the default setting is the Bluetooth mode (a sound is heard confirming the speaker is set into Bluetooth pairing mode);
2. Turn off the Bluetooth function on your phone or other Bluetooth device, press and hold the M button of either speaker (a sound is heard confirming the TWS function is activated), after a few seconds both Bluetooth speakers will give a voice prompt. Both speakers' Bluetooth are connected;
3. Turn on your mobile phone's Bluetooth, search for the "denver BTV-130";
4. Find the name "Denver BTV-130" and select it to connect;

2. Bluetooth speaker gives a voice prompt, then you can enjoy the music from two speakers;
3. Press and hold the M button again to quit the TWS function to hear music only from one speaker.

Note: If some equipment prompts for a password, enter the default password 0000.

VOICE ASSISTANT FUNCTION

Press the MODE button (1) twice to turn on the voice assistant function.

TECHNICAL FEATURES

Rechargeable Battery:	Built-in lithium: 3.7V, 1200mAh
Output power:	5V 1A
Bluetooth Frequency Range:	2402MHz~2480MHz
Operating Frequency Range:	20Hz~20KHz
Max power output:	37dBm
Dimensions:	85(W)*85(D)*95(H) mm
Weight:	286g

Please notice - All products are subject to change without any notice. We take reservations for errors and omissions in the manual.

ALL RIGHTS RESERVED, COPYRIGHT DENVER A/S



denver.eu



Electric and electronic equipment and included batteries contains materials, components and substances that can be hazardous to your health and the environment, if the waste material (discarded electric and electronic equipment and batteries) is not handled correctly.

Electric and electronic equipment and batteries is marked with the crossed out trash can symbol, seen above. This symbol signifies that electric and electronic equipment and batteries should not be disposed of with other household waste, but should be disposed of separately.

As the end user it is important that you submit your used batteries to the appropriate and designated facility. In this manner you make sure that the batteries are recycled in accordance with legislature and will not harm the environment.

All cities have established collection points, where electric and electronic equipment and batteries can either be submitted free of charge at recycling stations and other collection sites, or be collected from the households. Additional information is available at the technical department of your city.

Hereby, Denver A/S declares that the radio equipment type BTV-130 is in compliance with Directive 2014/53/EU. The full text of the EU declaration of conformity is available at the following internet address: denver.eu and then click the search ICON on topline of website. Write model number: BTV-130. Now enter product page, and RED directive is found under downloads/other downloads.

Bluetooth Frequency Range: 2402MHz-2480MHz

Operating Frequency Range: 20Hz-20KHz

Max Output Power: 37dBm

DENVER A/S

Omega 5A, Soeften

DK-8382 Hinnerup

Denmark

www.facebook.com/denver.eu

Contact

Main contact point: contact.hq@denver.eu

Nordics

Headquarter
Denver A/S
Omega 5A, Soeften
DK-8382 Hinnerup
Denmark

Phone: **+45 86 22 61 00**
(Push "1" for support)

E-Mail
For technical questions, please write to:
support.hq@denver.eu

For all other questions please write to:
contact.hq@denver.eu

Benelux

DENVER BENELUX B.V.
Barwoutswaarder 13C+D
3449 HE Woerden
The Netherlands

Phone: **0900-3437623**
E-Mail: **support.nl@denver.eu**

Spain/Portugal

DENVER SPAIN S.A
Ronda Augustes y Louis Lumiere, nº 23 – nave
16
Parque Tecnológico
46980 PATERNA
Valencia (Spain)

Spain
Phone: **+34 960 046 883**
Mail: **support.es@denver.eu**

Portugal:
Phone: **+35 1255 240 294**
E-Mail: **denver.service@satifiel.com**

Germany

Denver Germany GmbH Service
Max-Emanuel-Str. 4
94036 Passau

Phone: **+49 851 379 369 40**

E-Mail
support.de@denver.eu

Fairfixx GmbH
Repair and service
Rudolf-Diesel-Str. 3 TOR 2
53859 Niederkassel

(for TV, E-Mobility/Hoverboards/Balanceboards,
Smartphones & Tablets)

Phone: **+49 851 379 369 69**
E-Mail: **denver@fairfixx.de**

Austria

Lurf Premium Service GmbH
Deutschstrasse 1
1230 Wien

Phone: **+43 1 904 3085**
E-Mail: **denver@lurfservice.at**

Poland

LetMeRepair Poland sp. z o.o.

ul. Czeszochowska 140
62-800 Kalisz

Phone: **62 75 38 092**
E-Mail: **denver-service@letmerepair.pl**

Godziny pracy: 8 – 18 (poniedziałek – piątek)

If your country is not listed above,
please write an email to
support@denver.eu



Denver A/S
Omega 5A, Soeften
DK-8382 Hinnerup
Denmark

denver.eu
facebook.com/denver.eu

